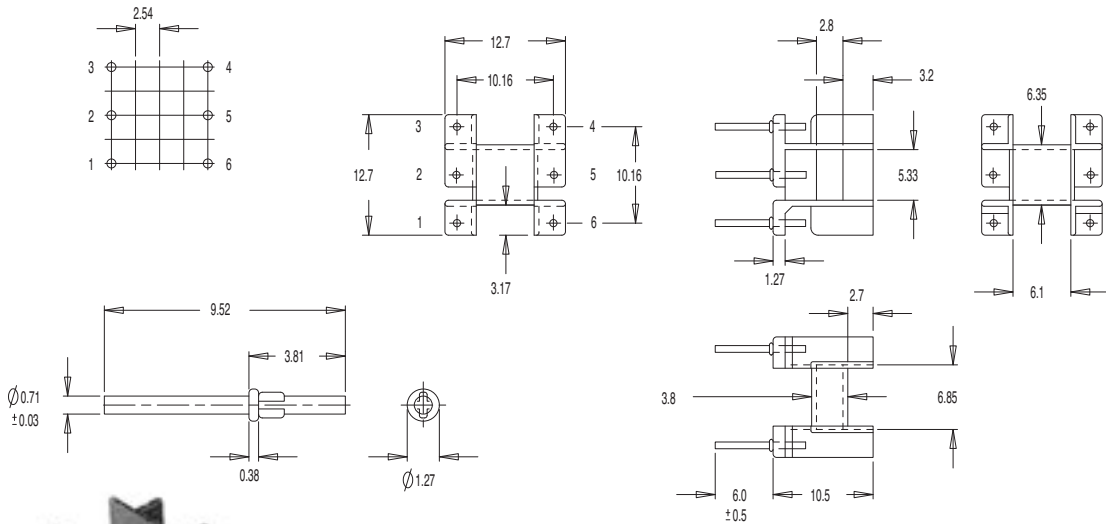




U Ferrite Core Coil Formers

MILES · PLATTS

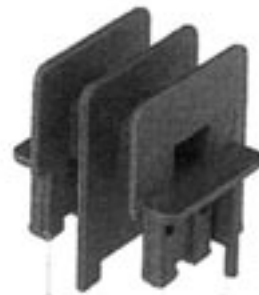
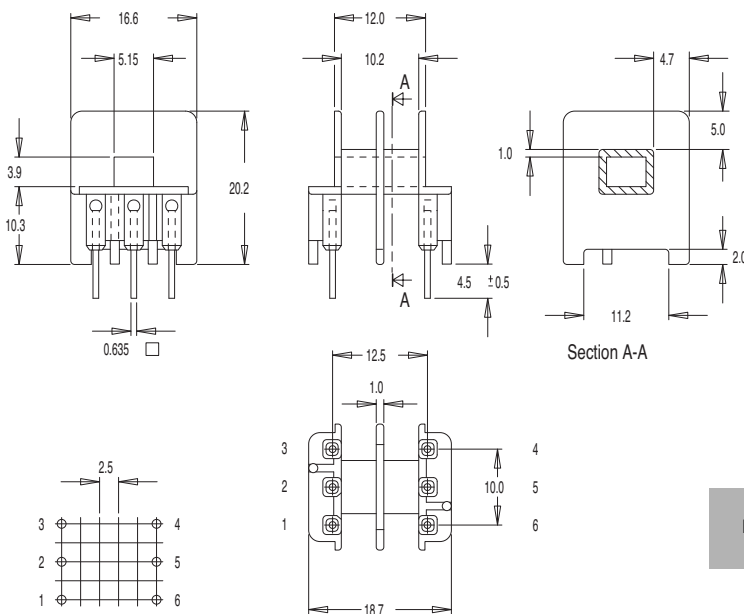
U & I 12.7 X 8.9 X 4.95 (PTB 1)



Bobbin size	Type	No. of Pins available	Pin size	Part No.
U & I 12.7 x 8.9 x 4.95	SS	6 (2 x 3)	Ø0.71	FU0500

Standard materials: Nylon 66 glass reinforced to UL94V0
Pin material: Half hard brass Dimensions in millimetres

U 13.5



Bobbin size	Type	No. of Pins available	Pin size	Part No.
U 13.5	DS	6 (2 x 3)	0.635 Sq.	FU0550

Standard materials: Nylon 66 glass reinforced to UL94V0
Pin material: Phosphor Bronze Dimensions in millimetres

For further technical information please contact
sales@milesplatts.co.uk or www.milesplatts.co.uk

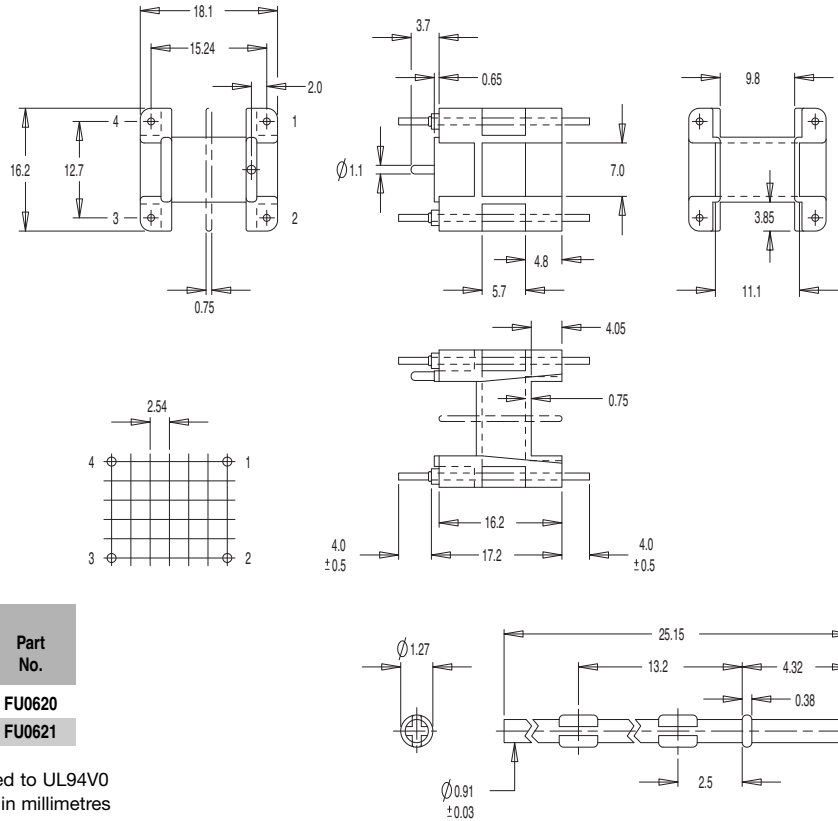




U Ferrite Core Coil Formers

MILES · PLATTS

U 15/11/6

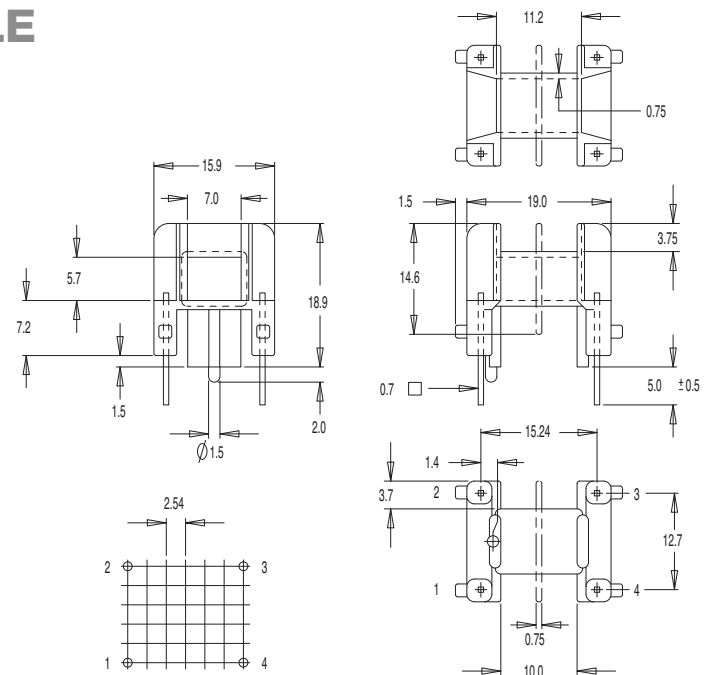


Bobbin size	Type	No. of Pins available	Pin size	Part No.
U 15/11/6	SS	4 (2 x 2)	Ø0.91	FU0620
U 15/11/6	DS	4 (2 x 2)	Ø0.91	FU0621

Standard materials: Nylon 66 glass reinforced to UL94V0
 Pin material: Half Hard Brass Dimensions in millimetres

Pin: TBS 036-99-170

U 15/11/6 LOW PROFILE



Bobbin size	Type	No. of Pins available	Pin size	Part No.
U 15/11/6	SS	4 (2 x 2)	0.635 Sq.	FU0600
U 15/11/6	DS	4 (2 x 2)	0.635 Sq.	FU0601

Standard materials: Nylon 66 glass reinforced to UL94V0 Pin material: Phosphor Bronze Dimensions in millimetres

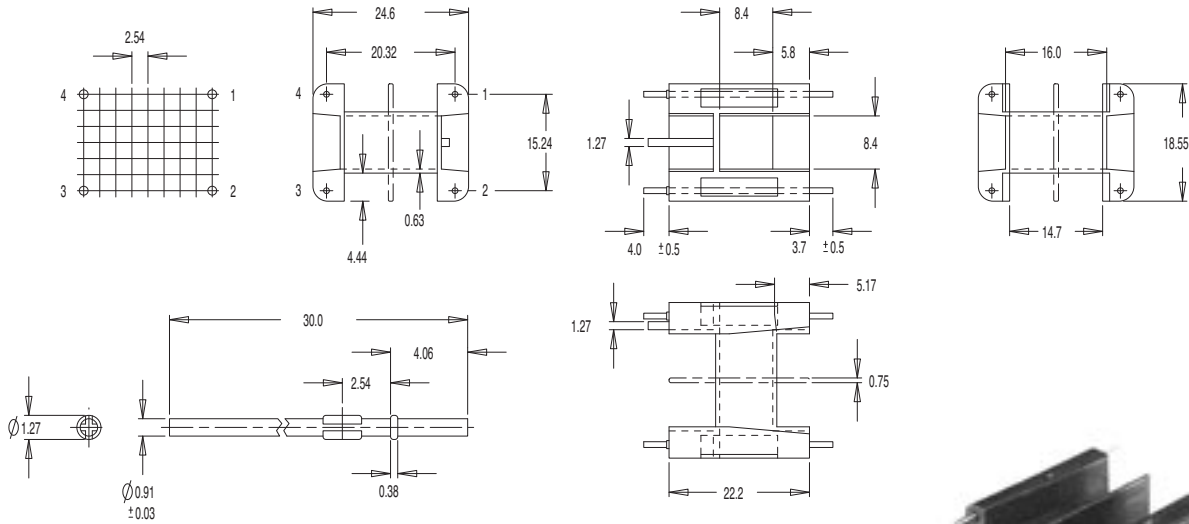
For further technical information please contact sales
 Tel: +44 (0) 116 262 2593 Fax: +44 (0) 116 253 7889



U Ferrite Core Coil Formers

MILES · PLATTS

U 21/15/7.5



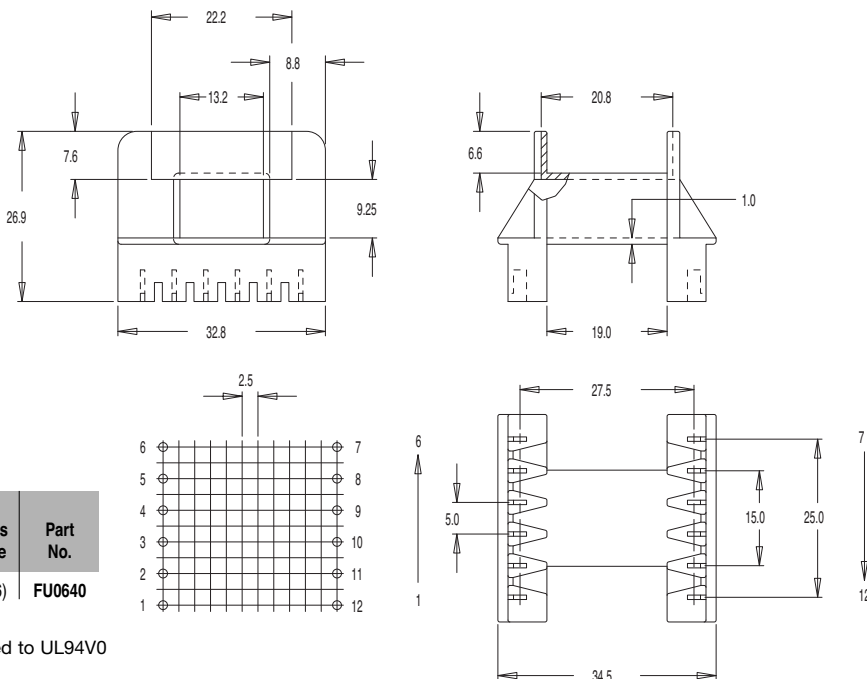
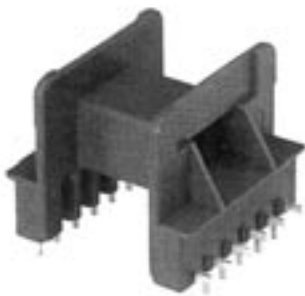
Pin: TBS 036-1180-160



Bobbin size	Type	No. of Pins available	Pin size	Part No.
U 21/15/7.5	SS	4 (2 x 2)	Ø0.91	FU0630
U 21/15/7.5	DS	4 (2 x 2)	Ø0.91	FU0631

Standard materials: Nylon 66 glass reinforced to UL94V0
Pin material: Half hard brass Dimensions in millimetres

U 25/20/13 HORIZONTAL



Bobbin size	Type	Terminal type	No. of terminals available	Part No.
U 20/20/13	SS	TBS 600 series	12 (2 x 6)	FU0640

Standard materials: Nylon 66 glass reinforced to UL94V0
Dimensions in millimetres

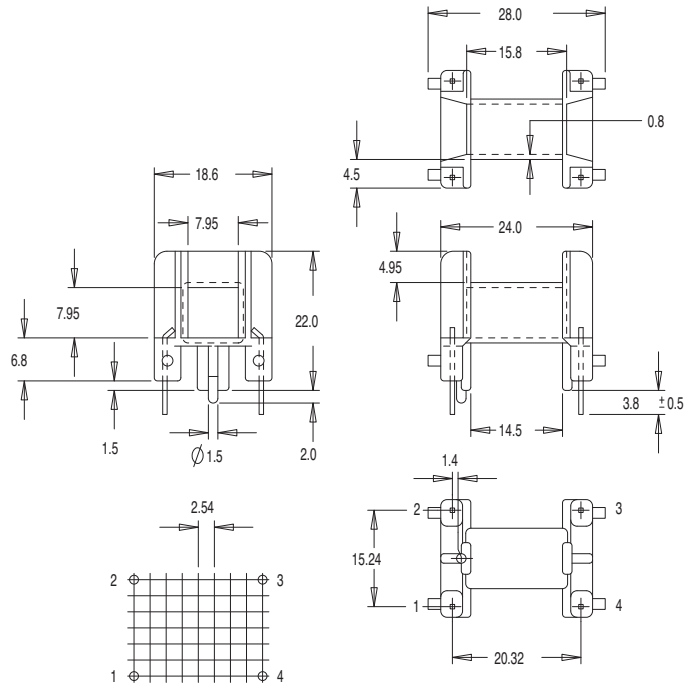
Most products are available direct from stock with same day despatch
- please contact sales for details



U Ferrite Core Coil Formers

MILES · PLATTS

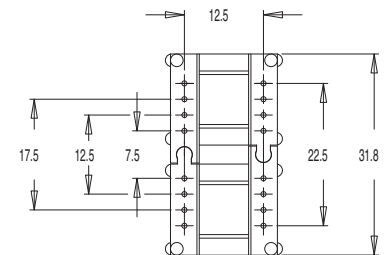
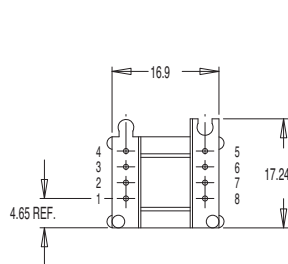
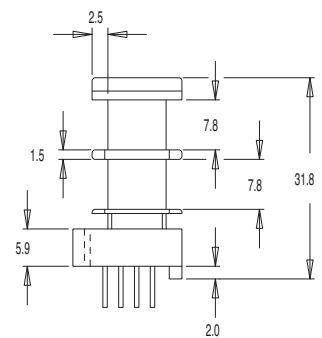
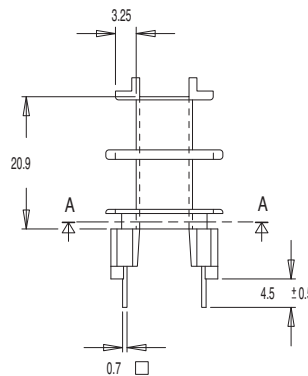
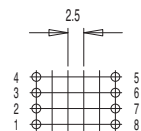
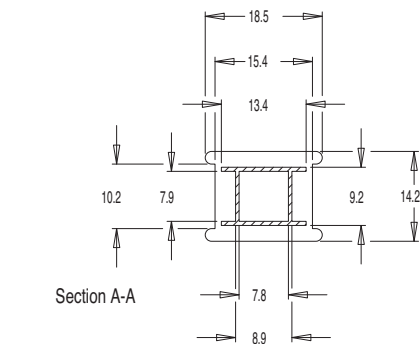
U 20/16/7



Bobbin size	Type	No. of Pins available	Pin size	Part No.
U 20/16/7	SS	4 (2 x 2)	0.635 Sq.	FU0625

Standard materials: Nylon 66 glass reinforced to UL94V0
 Pin material: Phosphor Bronze Dimensions in millimetres

U 25/19/7 VERTICAL



Bobbin size	Type	No. of Pins available	Pin size	Part No.
U 25/19/7	DS	16 (2 x 8) (2 bobbins)	0.7 Sq.	FU0650

Standard materials: Nylon 66 glass reinforced to UL94V0 Pin material: Phosphor Bronze Dimensions in millimetres

Miles-Platts terminals & wire are now being converted to lead-free
 - please refer to technical sales for details