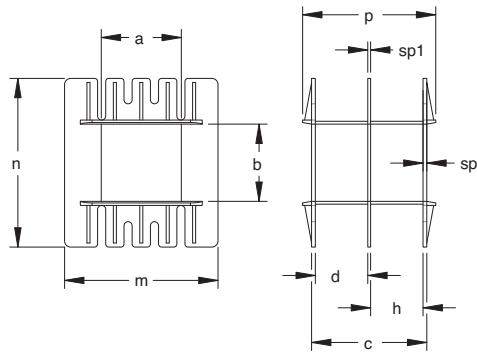




EI 84 BOBBINS

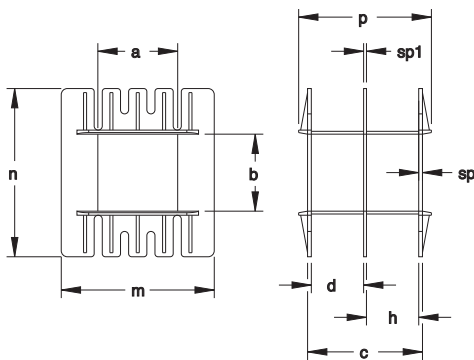


Bobbin Size	Type	a	b	c	d	h	sp/spl	m	n	p	Part No
E1 84/26	SS	28,5	26.0	41.0			1,5	54,5	60.0	47.0	E0840261
E1 84/30	SS	28,5	30.0	41.0			1,5	54,5	63.0	47.0	E0840301
E1 84/30	DS	28,5	30.0	41.0	16,3	19,7	1,5	54,5	63.0	47.0	E0840302
E1 84/35	SS	28,5	35.0	41.0			1,5	54,5	69.0	47.0	E0840351
E1 84/40	SS	28,5	40.0	41.0			1,5	54,5	74.0	47.0	E0840401
E1 84/40	DS	28,5	40.0	41.0	15,5	22.0	1,5	54,5	74.0	47.0	E0840402
E1 84/45	SS	28,5	45.0	41.0			1,5	54,5	77.0	47.0	E0840451
E1 84/45	DS	28,5	45.0	41.0	16,5	20.0	1,5	54,5	77.0	47.0	E0840452
E1 84/50	SS	28,5	50.0	41.0			1,5	54,5	82.0	47.0	E0840501
E1 84/50	DS	28,5	50.0	41.0	16,2	19,7	1,5	54,5	82.0	47.0	E0840502
E1 84/55	SS	28,5	55.0	41.0			1,5	54,5	88.0	47.0	E0840551

Standard materials: Nylon 6 glass reinforced

Dimensions in millimetres

EI 96 BOBBINS



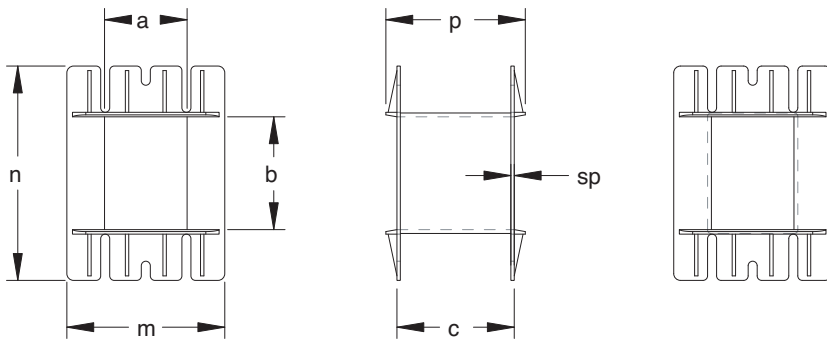
Bobbin Size	Type	a	b	c	d	h	sp/spl	m	n	p	Part No
E1 96/25	SS	32,5	25.0	47,5			1,3	63,5	64.0	53.0	E0960251
E1 96/32	SS	32,5	32.0	47,5	19.0	23,5	1,3	63,5	70.0	53.0	E0960321
E1 96/32	DS	32,5	32.0	47,5			1,3	63,5	70.0	53.0	E0960322
E1 96/40	SS	32,5	40.0	47,5			1,3	63,5	78.0	53.0	E0960401
E1 96/40	DS	32,5	40.0	47,5	19.0	23,5	1,3	63,5	78.0	53.0	E0960402
E1 96/50	SS	32,5	50.0	47,5			1,3	63,5	86,5	53.0	E0960501
E1 96/50	DS	32,5	50.0	47,5			1,3	63,5	86,5	53.0	E0960502
E1 96/60	SS	32,5	60.0	47,5	19.0	23,5	1,8	63,5	97,5	53.0	E0960601
E1 96/60	DS	32,5	60.0	47,5	19.0	23,5	1,8	63,5	97,5	53.0	E0960602
E1 96/70	SS	32,5	70.0	47,5			1,8	63,5	107.0	53.0	E0960701

Standard materials: Nylon 6 glass reinforced

Dimensions in millimetres



EI 108 BOBBINS

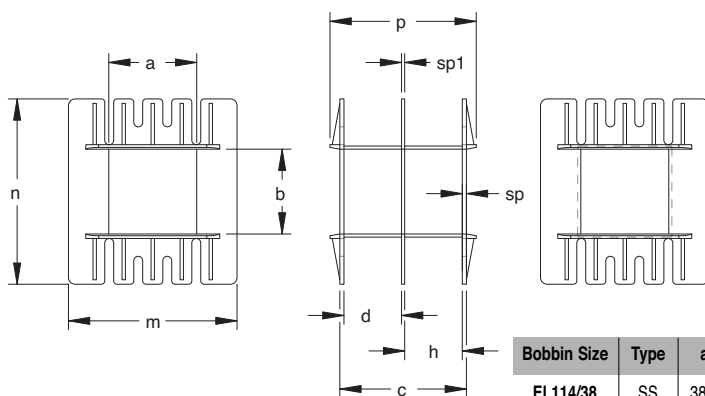


Bobbin Size	Type	a	b	c	sp	m	n	p	Part No
EI 108/36	SS	36.0	36.0	33,8	1,8	71.0	80.0	61.0	E1080361
EI 108/45	SS	36.0	45.0	33,8	1,8	70,5	87.0	61.0	E1080451
EI 108/50	SS	36.0	50.0	33,8	1,8	70,5	95.0	61.0	E1080501
EI 108/55	SS	36.0	55.0	33,8	1,8	70,5	97.0	61.0	E1080551
EI 108/60	SS	36.0	60.0	33,8	1,8	70,5	103,5	61.0	E1080601

Standard materials: Nylon 6 glass reinforced

Dimensions in millimetres

EI 114 BOBBINS



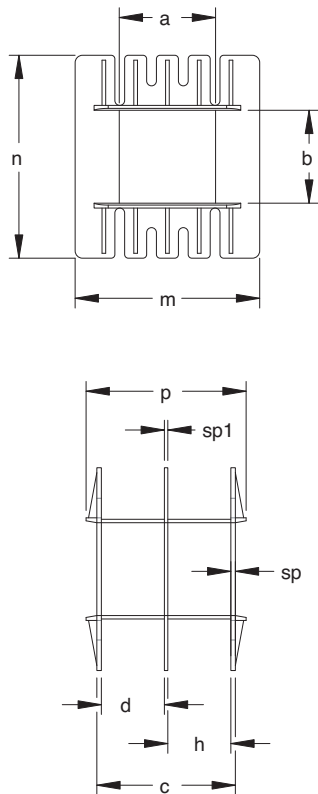
Bobbin Size	Type	a	b	c	d	h	sp/spl	m	n	p	Part No
EI 114/38	SS	38.0	38.0	57.0			1,5	75.0	80.0	65.0	EI140381
EI 114/38	DS	38.0	38.0	57.0	25,5	27.0	1,5	75.0	80.0	65.0	EI140382
EI 114/44	SS	38.0	44.0	57.0			1,5	75.0	87.0	65.0	EI140441
EI 114/44	DS	38.0	44.0	57.0	25,5	27.0	1,5	75.0	87.0	65.0	EI140442
EI 114/50	SS	38.0	50.0	57.0			1,5	75.0	94.0	65.0	EI140501
EI 114/50	DS	38.0	50.0	57.0	25,5	27.0	1,5	75.0	94.0	65.0	EI140502
EI 114/60	SS	38.0	60.0	57.0			1,5	75.0	103.0	65.0	EI140601
EI 114/60	DS	38.0	60.0	57.0	25,5	27.0	1,5	75.0	103.0	65.0	EI140602
EI 114/76	SS	38.0	76.0	57.0			1,5	75.0	121.0	65.0	EI140761
EI 114/76	DS	38.0	76.0	57.0	25,5	27.0	1,5	75.0	121.0	65.0	EI140762

Standard material: Nylon 6 glass reinforced

Dimensions in millimetres



EI 120 BOBBINS



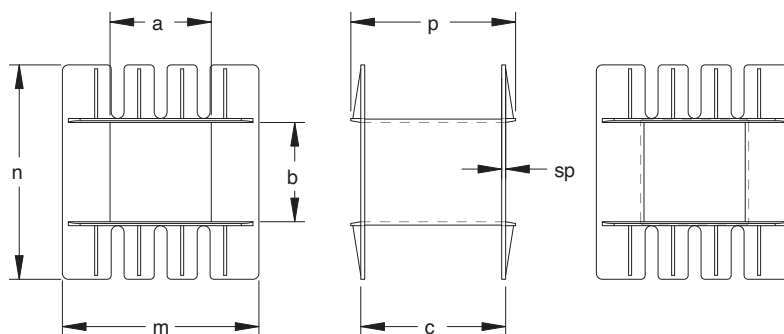
Bobbin Size	Type	a	b	c	d	h	sp/sp1	m	n	p	Part No
EI 120/30	SS	40,5	30,0	59,5			1,8	78,0	76,0	67,0	EI200301
EI 120/40	SS	40,5	40,0	59,5			1,8	78,0	83,0	67,0	EI200401
EI 120/40	DS	40,5	40,0	59,5	25,0	28,0	1,8	78,0	83,0	67,0	EI200402
EI 120/40	SS	40,5	40,0	59,5			1,8	78,0	83,0	63,0	EI200403
EI 120/45	SS	40,5	45,0	59,5			1,8	78,0	89,0	67,0	EI200451
EI 120/50	SS	40,5	50,0	59,5			1,8	78,0	91,0	67,0	EI200501
EI 120/50	DS	40,5	50,0	59,5	25,0	28,0	1,8	78,0	91,0	67,0	EI200502
EI 120/50	SS	40,5	50,0	59,5			1,8	78,0	91,0	63,0	EI200503
EI 120/55	SS	40,5	55,0	59,5			1,8	78,0	99,0	67,0	EI200551
EI 120/60	SS	40,5	60,0	59,5			1,8	78,0	100,0	67,0	EI200601
EI 120/60	DS	40,5	60,0	59,5	25,0	28,0	1,8	78,0	100,0	67,0	EI200602
EI 120/60	SS	40,5	60,0	59,5			1,8	78,0	100,0	63,0	EI200603
EI 120/65	SS	40,5	65,0	59,5			1,8	78,0	109,0	67,0	EI200651
EI 120/70	SS	40,5	70,0	59,5			1,8	78,0	112,0	67,0	EI200701
EI 120/70	DS	40,5	70,0	59,5	25,0	28,0	1,8	78,0	112,0	67,0	EI200702
EI 120/70	SS	40,5	70,0	59,5			1,8	78,0	112,0	63,0	EI200703
EI 120/80	SS	40,5	80,0	59,5			1,8	78,0	122,5	67,0	EI200801
EI 120/80	DS	40,5	80,0	59,5	25,0	28,0	1,8	78,0	122,5	67,0	EI200802
EI 120/80	SS	40,5	80,0	59,5			1,8	78,0	122,5	63,0	EI200803

1 at end of part number denotes single section bobbin with slots on both flanges
 2 at end of part number denotes double section bobbin with slots on both flanges
 3 at end of part number denotes single section bobbin with one flange slotted and the other without slots

Standard material: Nylon 6 glass reinforced

Dimensions in millimetres

EI 135 BOBBINS



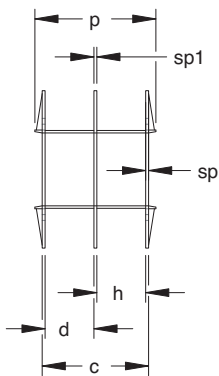
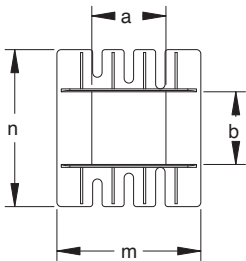
Bobbin Size	Type	a	b	c	sp	m	n	p	Part No
EI 135/45	SS	45,5	45,0	66,0	2,0	89,0	101,0	71,0	EI350453
EI 135/50	SS	45,5	50,0	66,0	2,0	89,0	106,5	71,0	EI350503
EI 135/60	SS	45,5	60,0	66,0	2,0	89,0	117,0	71,0	EI350603
EI 135/70	SS	45,5	70,0	66,0	2,0	89,0	126,5	71,0	EI350703
EI 135/90	SS	45,5	90	66,0	2,0	89,0	147	71,0	EI350903

Standard material: Nylon 6 glass reinforced

Dimensions in millimetres



EI 150 BOBBINS

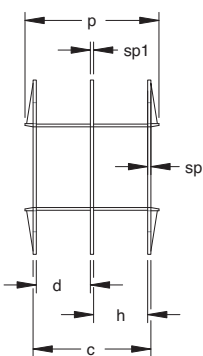
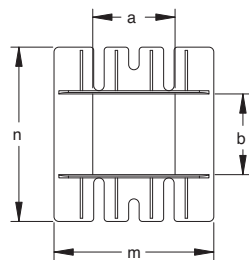


Bobbin Size	Type	a	b	c	d	h	sp/spl	m	n	p	Part No
EI 150/40	SS	51.0	40.0	74.0			2.0	100.0	100.0	84.0	EI500401
EI 150/40	DS	51.0	40.0	74.0	32.0	37.5	2.0	100.0	100.0	84.0	EI500402
EI 150/40	SS	51.0	40.0	74.0			2.0	100.0	100.0	79.0	EI500403
EI 150/50	SS	51.0	50.0	74.0			2.0	100.0	109.0	84.0	EI500501
EI 150/50	DS	51.0	50.0	74.0	32.0	37.5	2.0	100.0	109.0	84.0	EI500502
EI 150/50	SS	51.0	50.0	74.0			2.0	100.0	109.0	79.0	EI500503
EI 150/60	SS	51.0	60.0	74.0			2.0	100.0	119.0	84.0	EI500601
EI 150/60	DS	51.0	60.0	74.0	32.0	37.5	2.0	100.0	119.0	84.0	EI500602
EI 150/60	SS	51.0	60.0	74.0			2.0	100.0	119.0	79.0	EI500603
EI 150/70	SS	51.0	70.0	74.0			2.0	100.0	128.5	84.0	EI500701
EI 150/70	DS	51.0	70.0	74.0	32.0	37.5	2.0	100.0	128.5	84.0	EI500702
EI 150/70	SS	51.0	70.0	74.0			2.0	100.0	128.5	79.0	EI500703
EI 150/80	SS	51.0	80.0	74.0			2.0	100.0	139.0	84.0	EI500801
EI 150/80	DS	51.0	80.0	74.0	32.0	37.5	2.0	100.0	139.0	84.0	EI500802
EI 150/80	SS	51.0	80.0	74.0			2.0	100.0	139.0	79.0	EI500803
EI 150/90	SS	51.0	90.0	74.0			2.0	100.0	148.0	84.0	EI500901
EI 150/90	DS	51.0	90.0	74.0	32.0	37.5	2.0	100.0	148.0	84.0	EI500902
EI 150/90	SS	51.0	90.0	74.0			2.0	100.0	148.0	79.0	EI500903
EI 150/100	SS	51.0	100.0	74.0			2.0	100.0	159.0	84.0	EI501001
EI 150/100	DS	51.0	100.0	74.0	32.0	37.5	2.0	100.0	159.0	84.0	EI501002
EI 150/100	SS	51.0	100.0	74.0			2.0	100.0	159.0	79.0	EI501003

Standard material: Nylon 6 glass reinforced

Dimensions in millimetres

EI 180 BOBBINS



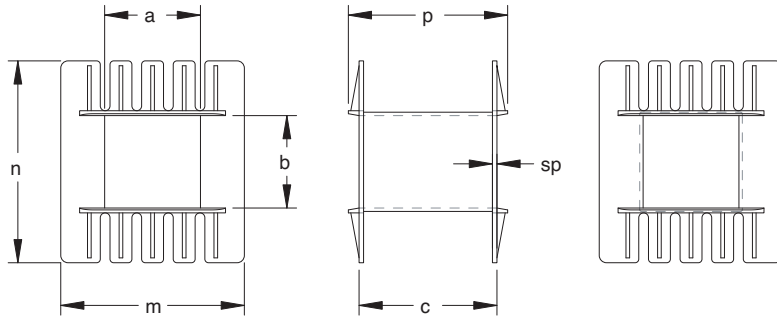
Bobbin Size	Type	a	b	c	d	h	sp/spl	m	n	p	Part No
EI 180/60	SS	60.0	60.0	89.0			2.0	117.0	130.5	100.0	EI800601
EI 180/60	DS	60.0	60.0	89.0	38.0	44.0	2.0	117.0	130.5	100.0	EI800602
EI 180/60	SS	60.0	60.0	89.0			2.0	117.0	130.5	94.0	EI800603
EI 180/70	SS	60.0	70.0	89.0			2.0	117.0	142.0	100.0	EI800701
EI 180/70	DS	60.0	70.0	89.0	38.0	44.0	2.0	117.0	142.0	100.0	EI800702
EI 180/70	SS	60.0	70.0	89.0			2.0	117.0	142.0	94.0	EI800703
EI 180/80	SS	60.0	80.0	89.0			2.0	117.0	148.0	100.0	EI800801
EI 180/80	DS	60.0	80.0	89.0	38.0	44.0	2.0	117.0	148.0	100.0	EI800802
EI 180/80	SS	60.0	80.0	89.0			2.0	117.0	148.0	94.0	EI800803
EI 180/90	SS	60.0	90.0	89.0			2.0	117.0	160.0	100.0	EI800901
EI 180/90	DS	60.0	90.0	89.0	38.0	44.0	2.0	117.0	160.0	100.0	EI800902
EI 180/90	SS	60.0	90.0	89.0			2.0	117.0	160.0	94.0	EI800903
EI 180/100	SS	60.0	100.0	89.0			2.0	117.0	171.0	100.0	EI801001
EI 180/100	SS	60.0	100.0	89.0			2.0	117.0	171.0	94.0	EI801003
EI 180/120	SS	60.0	120.0	89.0			2.0	117.0	195.0	100.0	EI801201
EI 180/120	DS	60.0	120.0	89.0	38.0	44.0	2.0	117.0	195.0	100.0	EI801202
EI 180/120	SS	60.0	120.0	89.0			2.0	117.0	195.0	94.0	EI801203

Standard material: Nylon 6 glass reinforced

Dimensions in millimetres



EI 192 BOBBINS

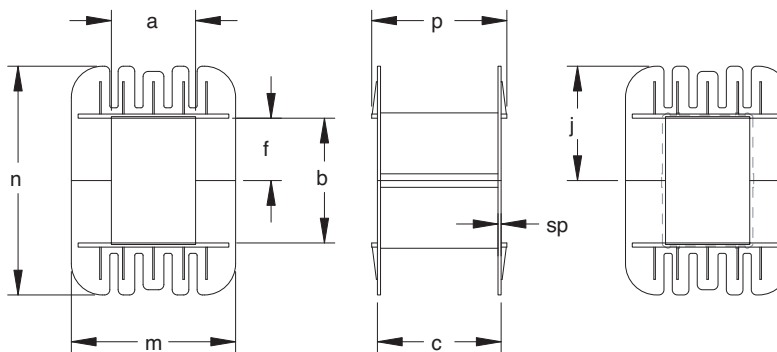


Bobbin Size	Type	a	b	c	sp	m	n	p	Part No
EI 192/60	SS	64.0	60.0	95,6	2,5	126.0	134.0	103,5	EI920601
EI 192/65	SS	64.0	65.0	95,6	2,5	126.0	138.0	103,5	EI920651
EI 192/70	SS	64.0	70.0	95,6	2,5	126.0	144.0	103,5	EI920701
EI 192/80	SS	64.0	80.0	95,6	2,5	126.0	154.0	103,5	EI920801
EI 192/90	SS	64.0	90.0	95,6	2,5	126.0	164.0	103,5	EI920901
EI 192/100	SS	64.0	100.0	95,6	2,5	126.0	173.0	103,5	EI921001
EI 192/110	SS	64.0	110.0	95,6	2,5	126.0	182.0	103,5	EI921101
EI 192/120	SS	64.0	120.0	95,6	2,5	126.0	192.0	103,5	EI921201

Standard material: Nylon 6 glass reinforced

Dimensions in millimetres

EI 240 BOBBINS



Bobbin Size	Type	a	b	c	f	j	sp	m	n	p	Bobbin Part No	Child 1 Part No	Child 2 Part No
EI 240/80	SS	80.0	80.0	120.0	40.0	90.0	3.0	158.0	180.0	130.0	E2400801	E240040X	E240040X
EI 240/90	SS	80.0	90.0	120.0			3.0	158.0	190.0	130.0	E2400901	E240040X	E240050X
EI 240/100	SS	80.0	100.0	120.0	50.0	100.0	3.0	158.0	200.0	130.0	E2401001	E240050X	E240050X
EI 240/110	SS	80.0	110.0	120.0			3.0	158.0	210.0	130.0	E2401101	E240050X	E240060X
EI 240/120	SS	80.0	120	120.0	60	110.0	3.0	158.0	220.0	130.0	E2401201	E240060X	E240060X

Standard material: Nylon 6 glass reinforced

Dimensions in millimetres