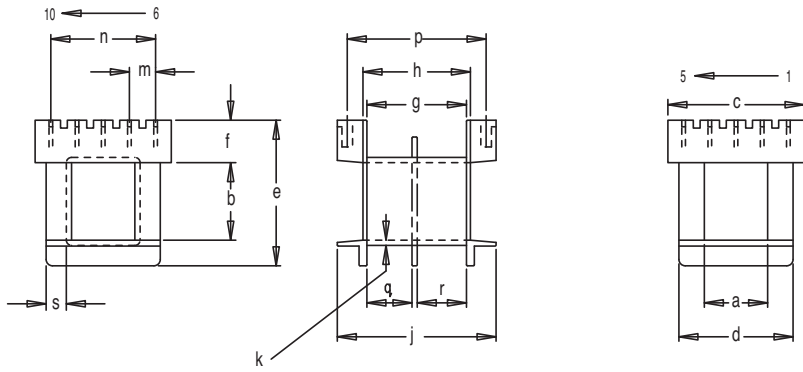


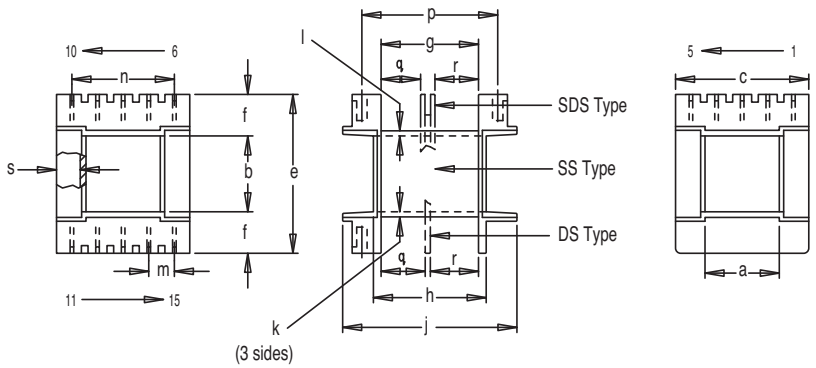


EI 30



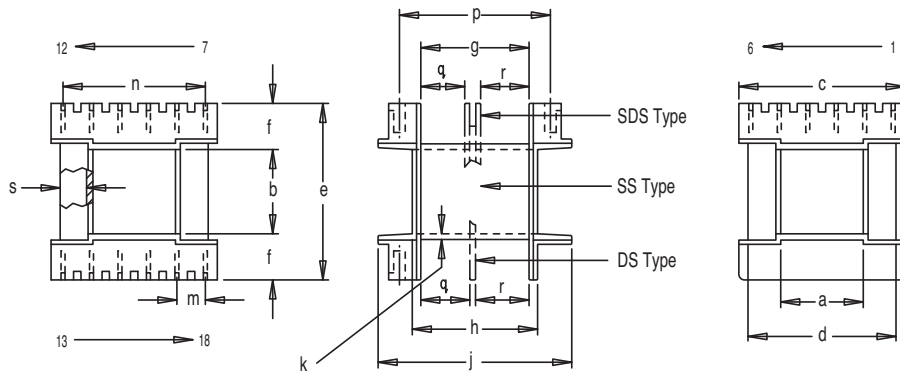
EI 30 x 10.5  
 EI 30 x 12.5  
 EI 30 x 15.5  
 (10 Terminal bobbins)

EI 38



EI 38 x 13.6  
 EI 38 x 20.0  
 (15 Terminal bobbins)

EI 42 & EI 48



EI 42 x 14.8  
 EI 48 x 16.8  
 EI 48 x 20.8  
 (18 Terminal bobbins)

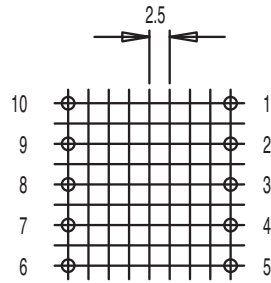
For use with TBS 600 series terminals

Standard materials: Nylon 66 glass reinforced / Nylon 66 glass reinforced to UL94V0 Dimensions in millimetres

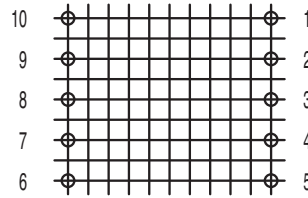
Most products are available direct from stock with same day despatch - please contact sales for details



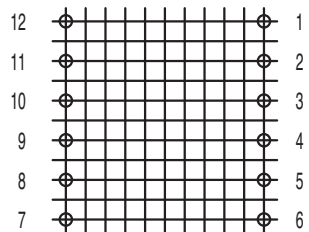
# Metric Range



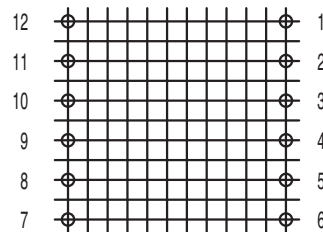
EI 30 x 10.5 - 12.5 - 15.5



EI 38 x 13.6 - 20.0



EI 42 x 14.8



EI 48 x 16.8 - 20.8

For use with all TBS 600 series terminals

Bobbin size	Type	No. of terminals available	a	b	c	d	e	f	g	h	j	k	l	m	n	p	q	r	s	Core Material	Frame VA <sup>†</sup>	Part No.
EI 30 x 10.5	SS	10 (2 x 5)	10.5	10.5	24.1	19.5	23.0	8.0	13.2	14.75	23.8	0.75		5.0	20.0	20.0			3.75	800	1.4	M00100
..	DS	..	..	..	..	..	..	..	..	..	..	..		..	..	..	5.3	6.9	..			M00200
EI 30 x 12.5	SS	10 (2 x 5)	10.5	12.5	24.1	19.5	25.0	8.0	13.2	14.75	23.8	0.75		5.0	20.0	20.0			3.75	800	1.7	M00300
..	DS	..	..	..	..	..	..	..	..	..	..	..		..	..	..	5.3	6.9	..			M00400
EI 30 x 15.5	SS	10 (2 x 5)	10.5	15.5	24.1	19.5	28.0	8.0	13.2	14.75	23.8	0.75		5.0	20.0	20.0			3.75	800	2.0	M00500
..	DS	..	..	..	..	..	..	..	..	..	..	..		..	..	..	5.3	6.9	..			M00600
EI 38 x 13.6	SS	15 (3 x 5)	13.3	13.6	23.5		28.0	7.2	15.9	18.7	30.7	1.0	1.4	5.0	20.0	25.0			4.1	800	3.0	M01200
..	DS	..	..	..	..		..	..	..	..	..	..		..	..	..	6.4	8.5	..			M01300
..	SDS	..	..	..	..		..	..	..	..	..	..		..	..	..	5.7	7.7	..			M01400
EI 38 x 20.0	SS	15 (3 x 5)	13.3	20.0	25.0		34.4	7.2	15.9	18.7	30.7	1.0	1.0	5.0	20.0	25.0			4.85	800	4.2	M01750
..	DS	..	..	..	..		..	..	..	..	..	..		..	..	..	6.4	8.5	..			M01760
..	SDS	..	..	..	23.5		..	..	..	..	..	..		..	..	..	5.7	7.7	3.85			M01770
EI 42 x 14.8	SS	18 (3 x 6)	14.5	14.8	29.2	26.0	31.0	8.1	17.5	20.5	32.5	1.0		5.0	25.0	25.0			4.75	800	4.0	M01800
..	DS	..	..	..	..	..	..	..	..	..	..	..		..	..	..	7.25	9.25	..			M01900
..	SDS	..	..	..	..	..	..	..	..	..	..	..		..	..	..	6.4	8.3	..			M02000
EI 48 x 16.8	SS	18 (3 x 6)	16.5	16.8	30.0	30.0	34.5	8.85	20.5	23.5	35.5	1.0		5.0	25.0	27.5			5.75	800	7.3	M02300
..	DS	..	..	..	..	..	..	..	..	..	..	..		..	..	..	9.75	9.75	..			M02400
..	SDS	..	..	..	..	..	..	..	..	..	..	..		..	..	..	9.0	9.0	5.5			M02500
EI 48 x 20.8	SS	18 (3 x 6)	16.5	20.8	30.0	30.0	38.5	8.85	20.5	23.5	36.9	1.0		5.0	25.0	27.5			5.75	800	8.8	M02800
..	DS	..	..	..	..	..	..	..	..	..	..	..		..	..	..	9.75	9.75	..			M02900
..	SDS	..	..	..	..	..	..	..	..	..	..	..		..	..	..	9.0	9.0	5.5			M03000

Standard materials: Nylon 66 glass reinforced / Nylon 66 glass reinforced to UL94V0 Dimensions in millimetres

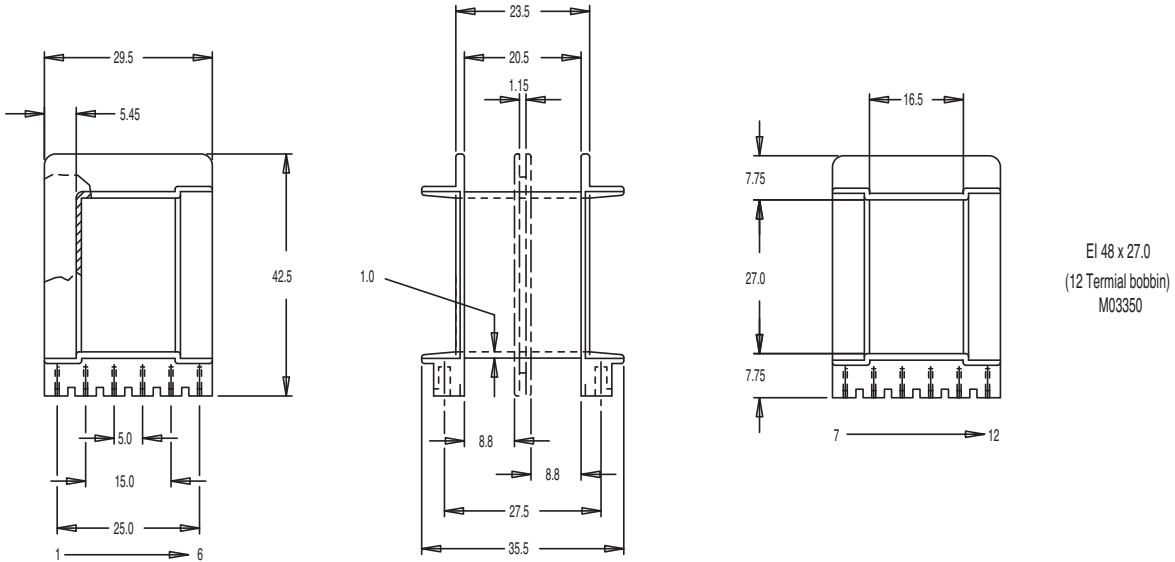
\*Also available with T.C.O. - Part No. MO1450 <sup>†</sup>Refer to VA Ratings - Section 9 Page 2.

For wire pin versions please refer to Section 3 Page 14.

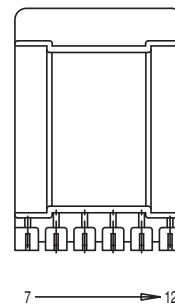
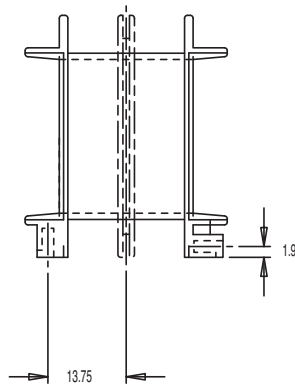
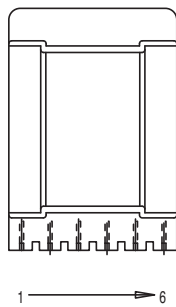
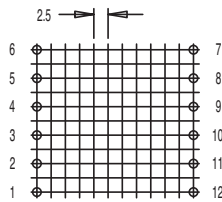
Miles-Platts terminals & wire are now being converted to lead-free  
- please refer to technical sales for details



EI 48 X 27.0



EI 48 x 27.0  
(12 Terminal bobbin)  
M03350



EI 48 x 27.0  
(12 Terminal bobbin)  
6 Normal 6 at 90  
M03360

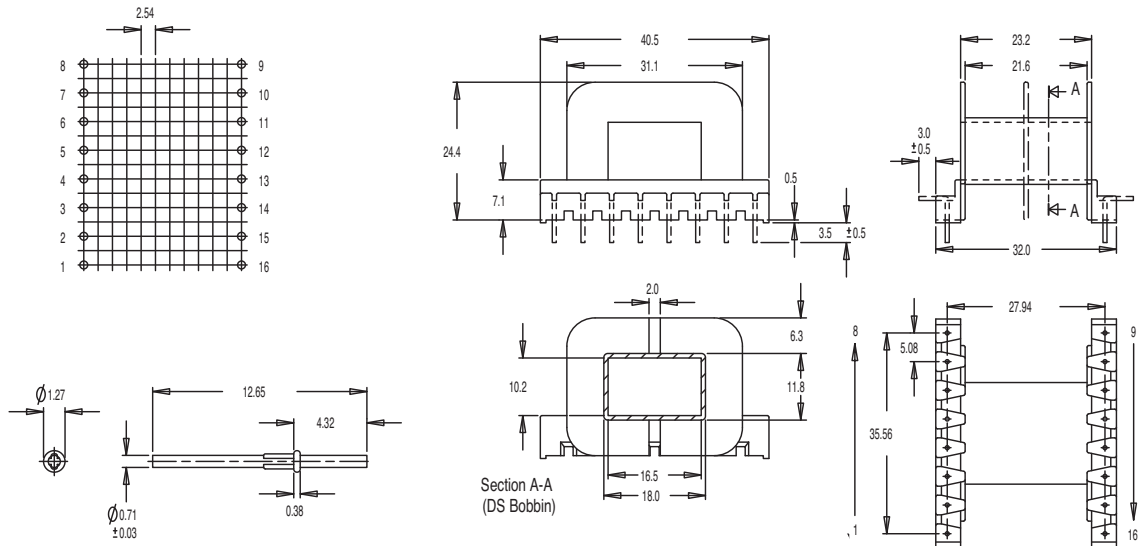
For use with all TBS 600 series terminals

Bobbin size	Type	No. of terminals available	a	b	c	d	e	f	g	h	j	k	l	m	n	p	q	r	s	Core Material	Frame VA <sup>1</sup>	Part No.	
EI 48 x 27	SDS	12 (2 x 6)	16.5	27.0	29.5	29.5	42.5	7.75	20.5	23.5	35.5	1.0		5.0	25.0	27.5	8.8	8.8		800		M03350	
EI 48 x 27	SDS	..	..	..	..	..	..	..	..	..	..	..	..	..	..	..	..	..	..	..	..	..	M03360

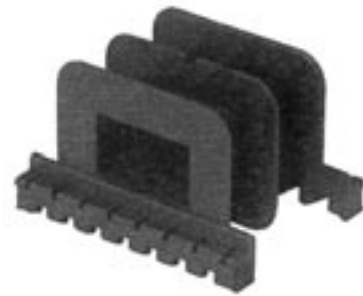
Standard materials: Nylon 66 glass reinforced / Nylon 66 glass reinforced to UL94V0 Dimensions in millimetres  
\*Also available with T.C.O. - Part No. MO1450 <sup>1</sup>Refer to VA Ratings - Section 9 Page 2.



## EI 48 X 10 (639A & 13 AMP.)



Pin: TBS 028-498-170



Bobbin size	Type	No. of pins available	Pin Size	Core Material	Frame VA <sup>†</sup>	Part No.
EI 41 x 11	SDS	12 (2 x 6)	0.635	TBA	TBA	VM0950
EI 41 x 11	Cover					VM0951
EI 48 x 10	SS	16 (2 x 8)	$\phi 0.71$	800-50	4.7	VM0860
EI 48 x 10	DS	16 (2 x 8)	$\phi 0.71$			VM0870

Standard materials: Nylon 66 glass reinforced to UL94V0 Pin material: Half Hard Brass  
Dimensions in millimetres <sup>†</sup>Refer to VA Ratings - Section 9 Page 2.

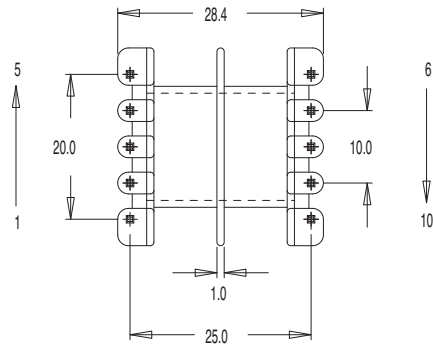
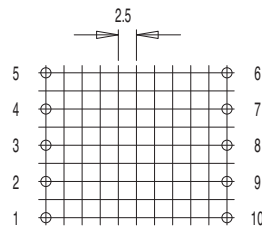
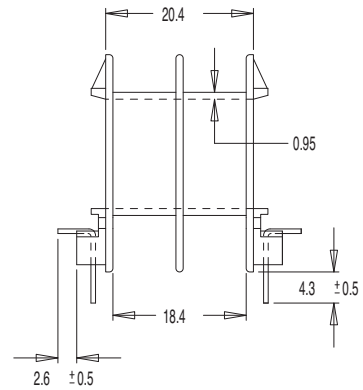
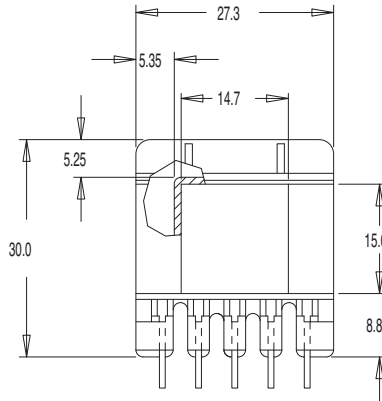
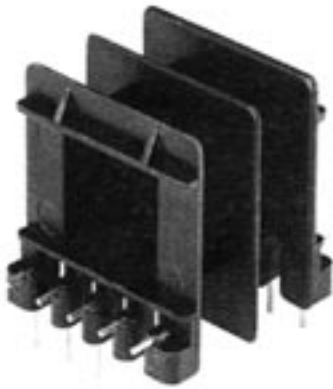


# Coil Formers For Laminations

# MILES · PLATTS

## EI 42 X 15

Section 3

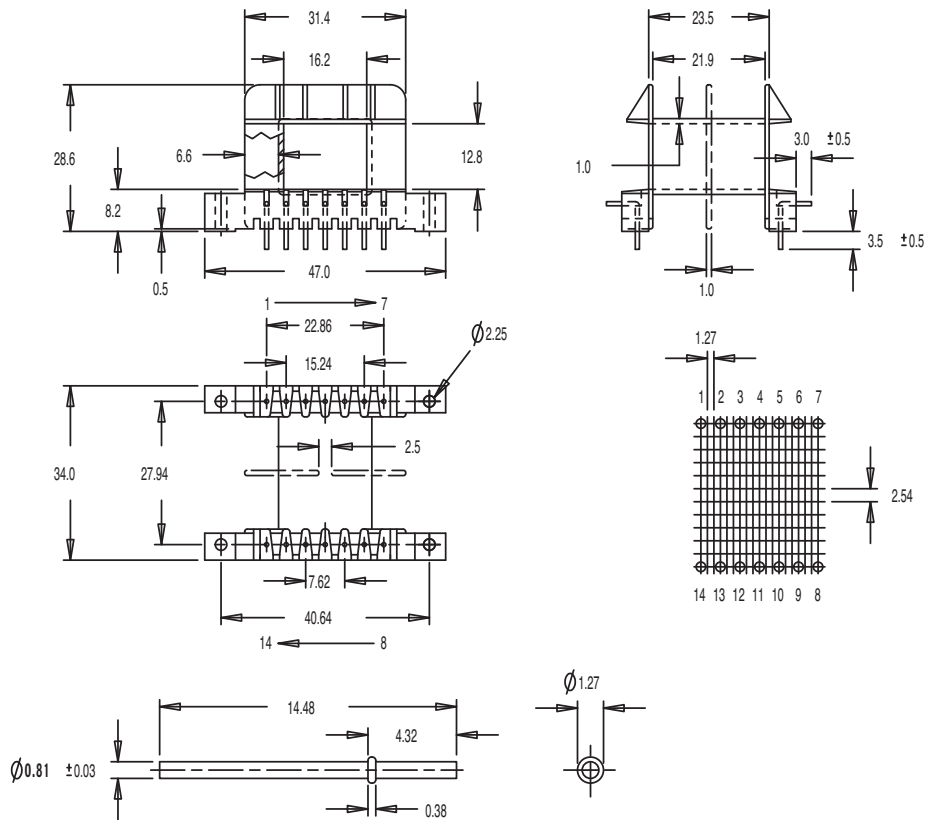


Bobbin size	Type	No. of pins available	Pin size	Part No.
EI 42 x 15	DS	10 (2 x 5)	0.635 Sq.	VM0810

Standard materials: Nylon 66 glass reinforced /  
 Nylon 66 glass reinforced to UL94V0  
 Pin material: Phosphorus Bronze Dimensions in millimetres



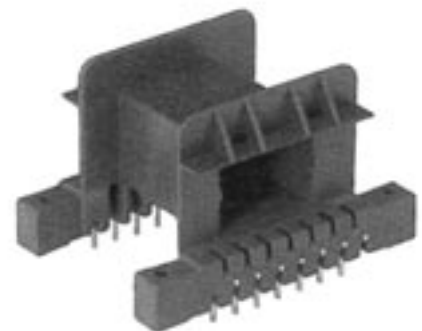
## EI 48 X 12.5



Pin: TBS 032-570-170

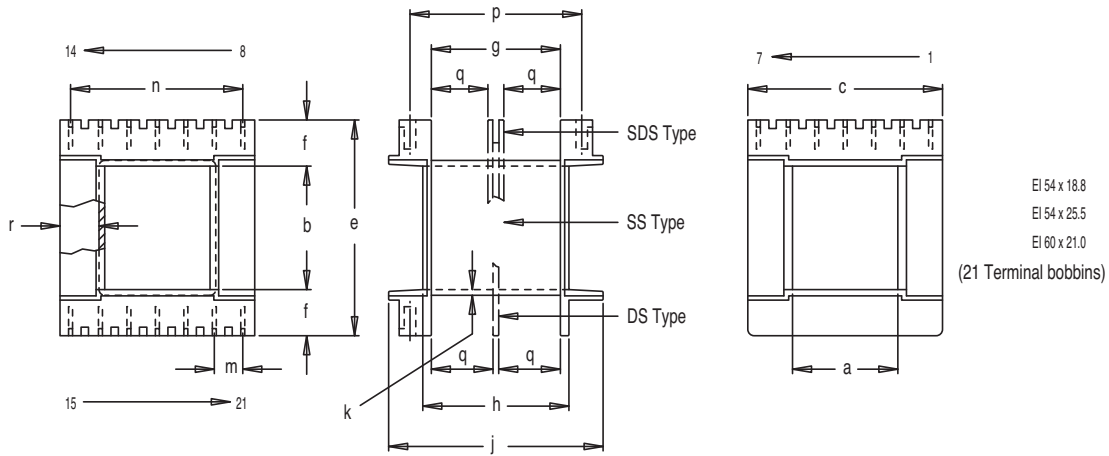
Bobbin size	Type	No. of pins available	Pin Size	Core Material	Frame VA <sup>†</sup>	Part No.
EI 48 x 12.5	SS	14 (2 x 7)	Ø0.81	800-50	91	VM0800
EI 48 x 12.5	DS	14 (2 x 7)	Ø0.81			VM0801

Standard materials: Nylon 66 glass reinforced /  
 Nylon 66 glass reinforced to UL94V0 Pin material: Half Hard Brass  
 Dimensions in millimetres <sup>†</sup>Refer to VA Ratings - Section 9 Page 2.

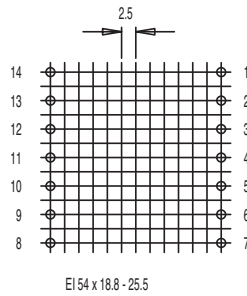
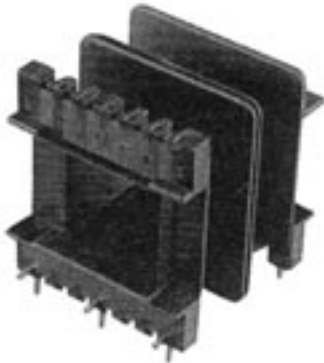




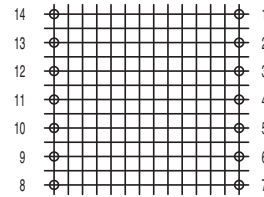
EI 54 & EI 60



EI 54 x 18.8  
EI 54 x 25.5  
EI 60 x 21.0  
(21 Terminal bobbins)



EI 54 x 18.8 - 25.5



EI 60 x 21.0

For use with all TBS 600 series terminals

Bobbin size	Type	No. of terminals available	a	b	c	e	f	g	h	j	k	m	n	p	q	r	Core Material	Frame VA <sup>†</sup>	Part No.
EI 54 x 18.8	SS	21 (3 x 7)	18.5	18.8	34.0	39.0	10.1	23.5	26.5	38.5	1.0	5.0	30.0	30.0		6.75	800	12.4	M03400
..	DS	..	..	..	..	..	..	..	..	..	..	..	..	..	11.25	..			M03500
..	SDS	..	..	..	..	..	..	..	..	..	..	..	..	..	10.4	6.5			M03600
EI 54 x 25.5	SS	21 (3 x 7)	18.5	25.5	34.0	45.7	10.1	23.5	26.5	38.7	1.0	5.0	30.0	30.0		6.75	800	15.8	M04100
..	DS	..	..	..	..	..	..	..	..	..	..	..	..	..	11.25	..			M04200
..	SDS	..	..	..	..	..	..	..	..	..	..	..	..	..	10.4	6.5			M04300
EI 60 x 21.0	SS	21 (3 x 7)	20.6	21.0	38.0	42.2	10.6	26.0	29.1	41.6	1.0	5.0	30.0	32.5		7.7	800	18.6	M04600
..	DS	..	..	..	..	..	..	..	..	..	..	..	..	..	12.5	..			M04700
..	SDS	..	..	..	..	..	..	..	..	..	..	..	..	..	11.6	7.45			M04800

Standard materials: Nylon 66 glass reinforced / Nylon 66 glass reinforced to UL94V0 Dimensions in millimetres

\*Also available with T.C.O. - Part No. MO4900 †Refer to VA Ratings - Section 9 Page 2.

For wire pin versions please refer to Section 3 Page 14.

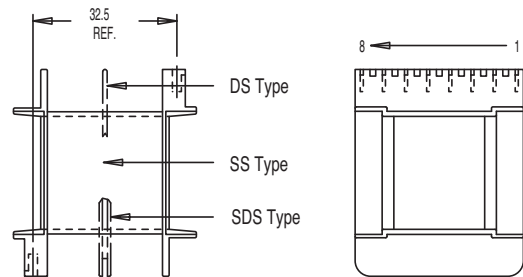
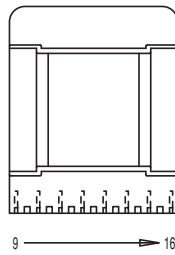
Miles-Platts terminals & wire are now being converted to lead-free  
- please refer to technical sales for details



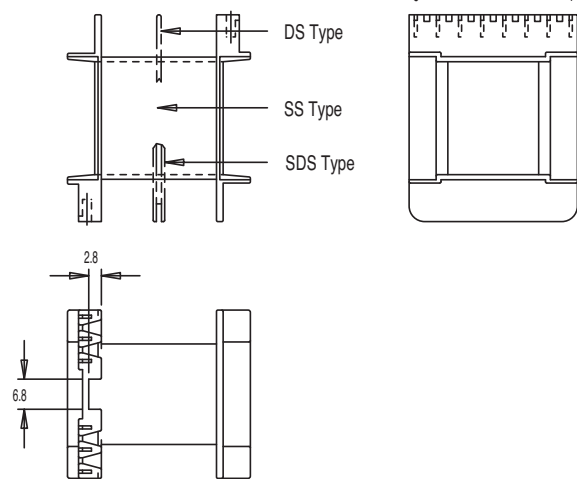
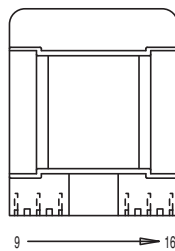
# Metric Range

## EI 60 X 25.5

Bobbin with Diagonal  
Terminal Strips  
M05104D  
M05106D  
M05108D



Bobbin with Diagonal  
Terminal Strips  
and T.C.O.  
M05105D  
M05107D  
M05109D



For use with all TBS 600 series terminals

Bobbin size	Type	No. of terminals available	a	Core Material	Frame VA†	Part No.
EI 60 x 25.5	SS	16 (2 x 8)		800	21.8	M05104
EI 60 x 25.5	DS	16 (2 x 8)				M05106
EI 60 x 25.5	SDS	16 (2 x 8)				M05108
EI 60 x 25.5	SS	16 (2 x 8)	△	800	21.8	M05104D
EI 60 x 25.5	DS	16 (2 x 8)	△			M05106D
EI 60 x 25.5	SDS	16 (2 x 8)	△			M05108D
EI 60 x 25.5	SS	14 (8 + 6)	+	800	21.8	M05105
EI 60 x 25.5	DS	14 (8 + 6)	+			M05107
EI 60 x 25.5	SDS	14 (8 + 6)	+			M05109
EI 60 x 25.5	SS	14 (8 + 6)	+△	800	21.8	M05105D
EI 60 x 25.5	DS	14 (8 + 6)	+△			M05107D
EI 60 x 25.5	SDS	14 (8 + 6)	+△			M05109D

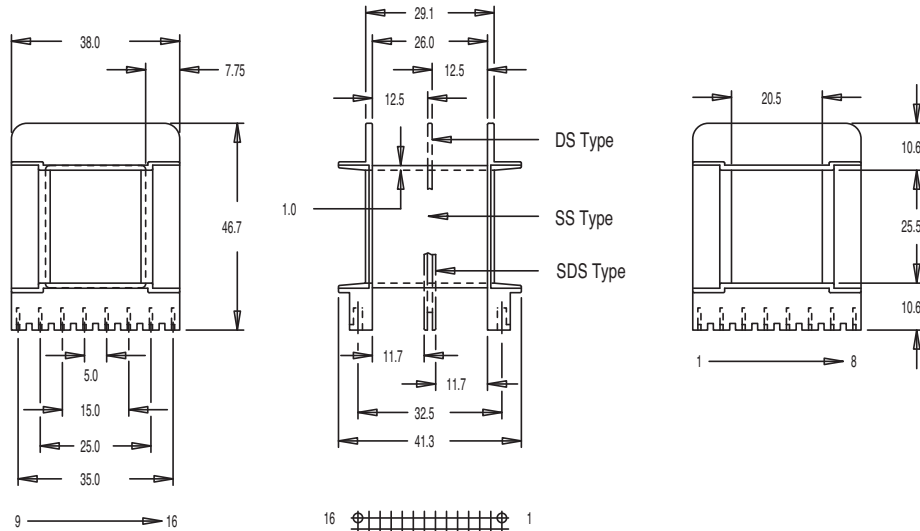
Standard materials: Nylon 66 glass reinforced / Nylon 66 glass reinforced to UL94V0 Dimensions in millimetres  
 †Part with T.C.O. △ Part with diagonal terminal strip †Refer to VA Ratings - Section 9 Page 2.

Miles-Platts are technical moulders - we manufacture more than bobbins  
 - please contact sales for details

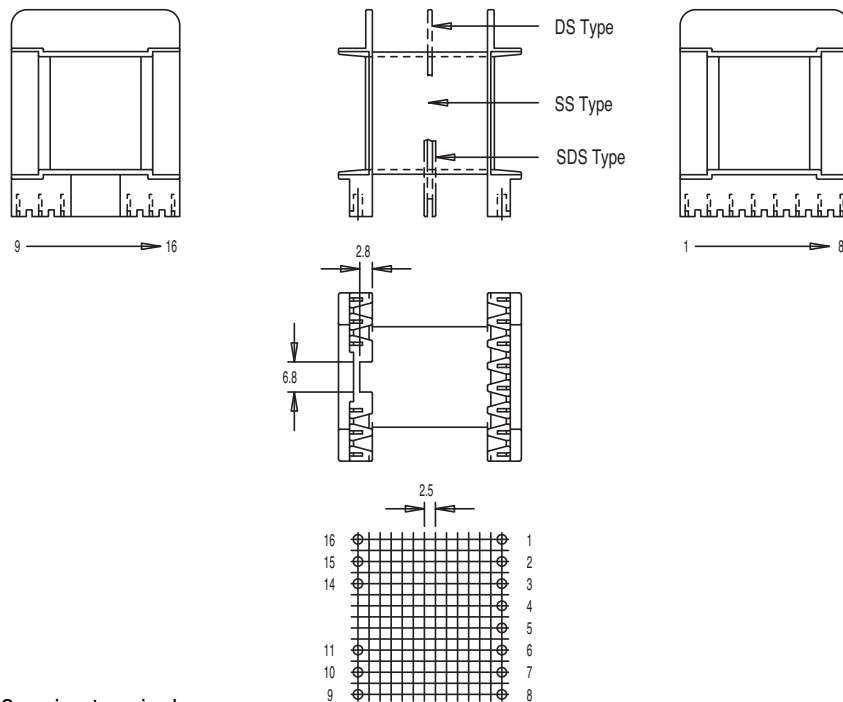


EI 60 X 25.5

Standard bobbin  
M05104  
M05106  
M05108



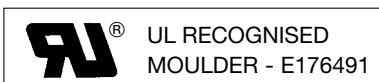
Bobbin  
with T.C.O.  
M05105  
M05107  
M05109



For use with all TBS 600 series terminals

Standard materials: Nylon 66 glass reinforced / Nylon 66 glass reinforced to UL94V0 Dimensions in millimetres

For further technical information please contact sales@milesplatts.co.uk or www.milesplatts.co.uk

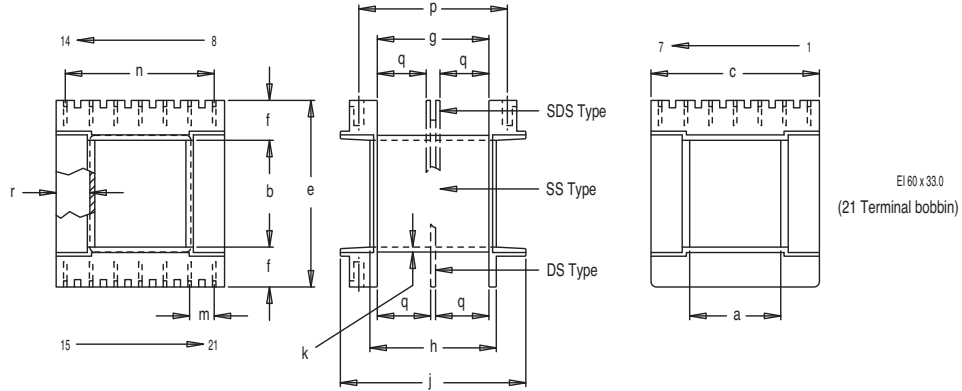




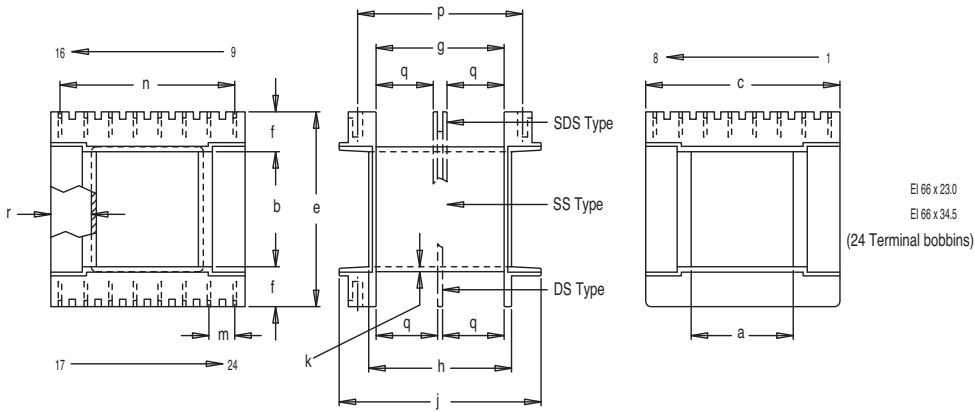
# Metric Range

# MILES · PLATTS

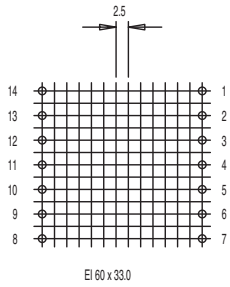
Section 3



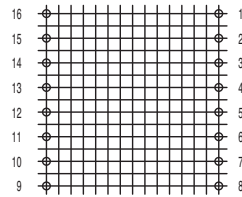
EI 60 x 33.0  
(21 Terminal bobbin)



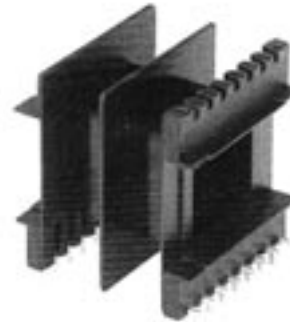
EI 66 x 23.0  
EI 66 x 34.5  
(24 Terminal bobbins)



EI 60 x 33.0



EI 66 x 23.0-34.5



For use with all TBS 600 series terminals

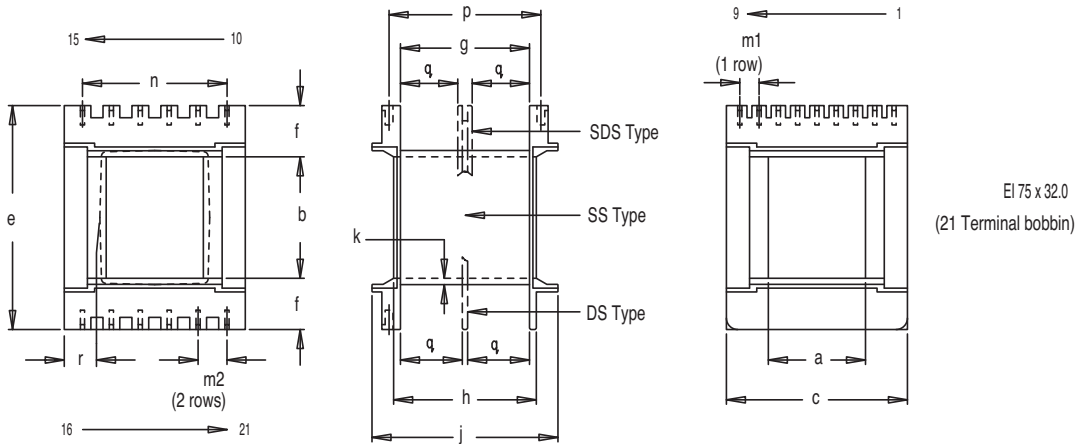
Bobbin size	Type	No. of terminals available	a	b	c	e	f	g	h	j	k	m	n	p	q	r	Core Material	Frame VA <sup>†</sup>	Part No.
EI 60 x 33.0	SS	21 (3 x 7)	20.6	33.0	38.0	54.2	10.6	26.0	29.1	41.6	1.0	5.0	30.0	32.5		7.7	800	29.1	M05150
..	DS	..	..	..	..	..	..	..	..	..	..	..	..	..	12.5	..			M05160
..	SDS	..	..	..	..	..	..	..	..	..	..	..	..	..	11.6	..			M05170
EI 66 x 23.0	SS	24 (3 x 8)	22.6	23.0	42.0	46.0	11.5	29.5	32.5	44.6	1.0	5.0	35.0	35.0		8.7	800	29.8	M05300
..	DS	..	..	..	..	..	..	..	..	..	..	..	..	..	14.25	..			M05400
..	SDS	..	..	..	..	..	..	..	..	..	..	..	..	..	13.35	..			M05500
EI 66 x 34.5	SS	24 (3 x 8)	22.6	34.5	42.0	57.5	11.5	29.5	32.5	44.6	1.0	5.0	35.0	35.0		7.7	800	41.3	M05900
..	DS	..	..	..	..	..	..	..	..	..	..	..	..	..	14.25	..			M06000
..	SDS	..	..	..	..	..	..	..	..	..	..	..	..	..	13.35	..			M06100

Standard materials: Nylon 66 glass reinforced / Nylon 66 glass reinforced to UL94V0 Dimensions in millimetres  
<sup>†</sup>Refer to VA Ratings - Section 9 Page 2.

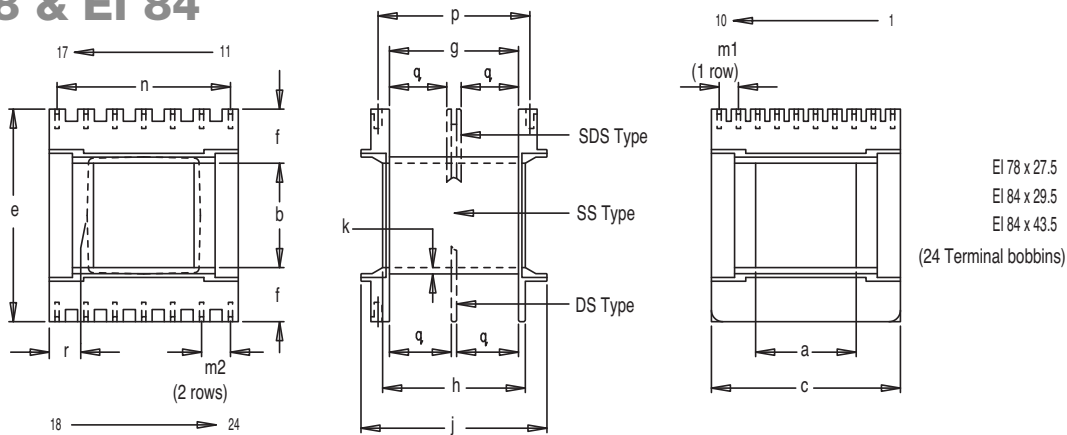
For further technical information please contact sales  
 Tel: +44 (0) 116 262 2593 Fax: +44 (0) 116 253 7889



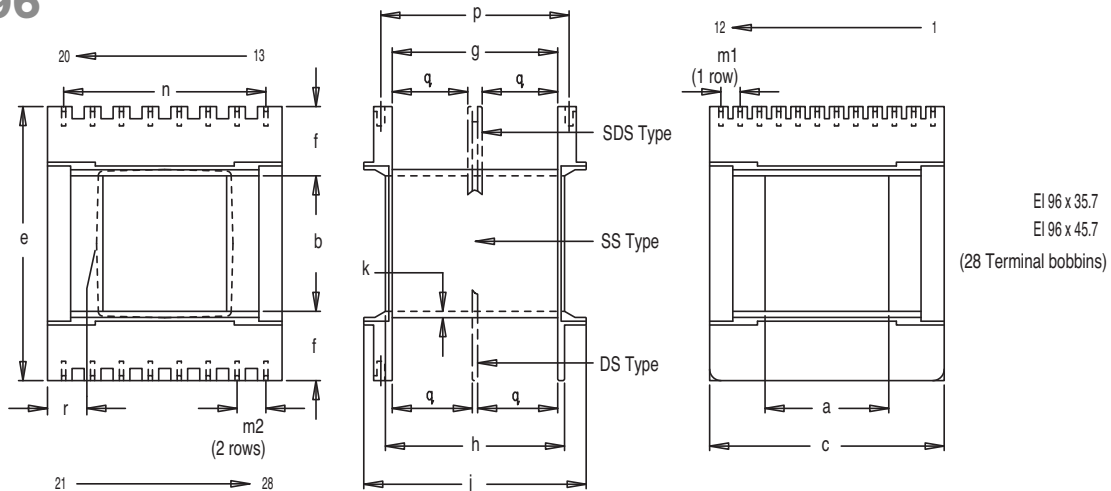
EI 75



EI 78 & EI 84



EI 96



For use with all TBS 600 series terminals

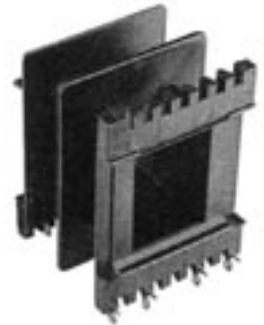
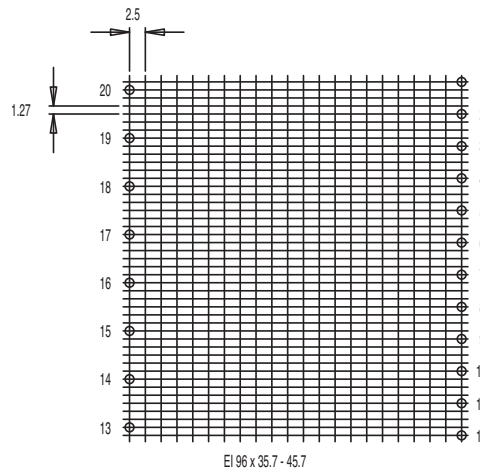
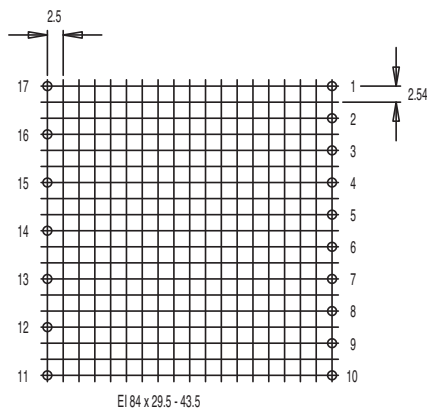
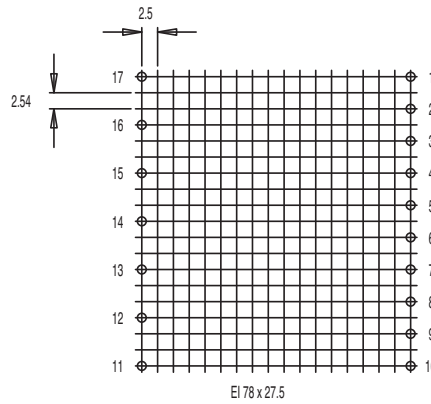
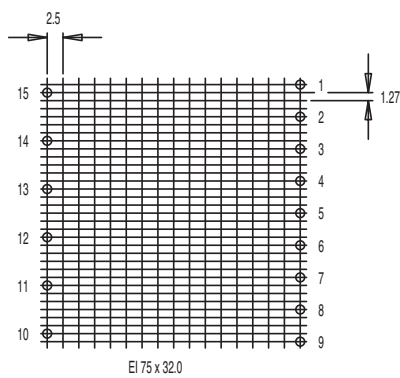
Standard materials: Nylon 66 glass reinforced / Nylon 66 glass reinforced to UL94V0 Dimensions in millimetres

Most products are available direct from stock with same day despatch - please contact sales for details



# Metric Range

Section 3



For use with all TBS 600 series terminals

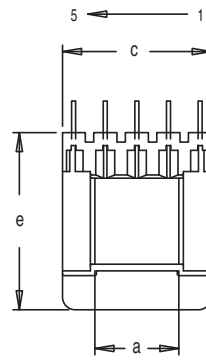
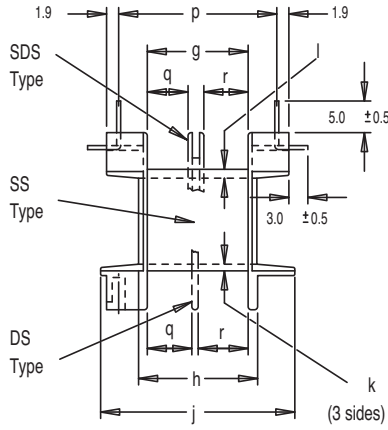
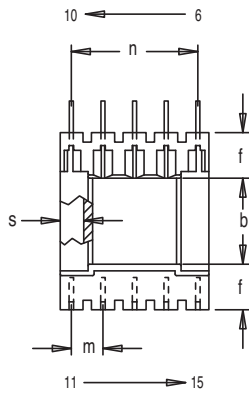
Bobbin size	Type	No. of terminals available	a	b	c	e	f	g	h	j	k	m1	m2	n	p	q	r	Core Material	Frame VA†	Part No.	
EI 75 x 32.0	SS	21 (1 x 9) + (2 x 6)	25.6	32.0	47.7	59.0	13.5	34.0	37.0	49.0	1.3	5.08	7.62	38.1	40.0		9.25	800	58.9	M06400	
..	DS	..	..	..	..	..	..	..	..	..	..	..	..	..	..	16.5	..			M06500	
..	SDS	..	..	..	..	..	..	..	..	..	..	..	..	..	..	15.65	9.0			M06600	
EI 78 x 27.5	SS	24 (1 x 10) + (2 x 7)	26.5	27.5	49.8	56.0	14.25	35.5	38.5	50.7	1.4	5.08	7.62	45.72	42.5		9.8	800	58.8	M07100	
..	DS	..	..	..	..	..	..	..	..	..	..	..	..	..	..	17.25	..			M07200	
..	SDS	..	..	..	..	..	..	..	..	..	..	..	..	..	..	16.35	9.55			M07300	
EI 84 x 29.5	SS	24 (1 x 10) + (2 x 7)	28.6	29.5	53.8	60.8	15.65	38.2	41.2	53.4	1.5	5.08	7.62	45.72	45.0		10.8	800	85.7	M07800	
..	DS	..	..	..	..	..	..	..	..	..	..	..	..	..	..	18.6	..			M07900	
..	SDS	..	..	..	..	..	..	..	..	..	..	..	..	..	..	17.7	10.55			M08000	
EI 84 x 43.5	SS	24 (1 x 10) + (2 x 7)	28.6	43.5	53.8	74.8	15.65	38.2	41.2	53.4	1.5	5.08	7.62	45.72	45.0		10.25	800	114.3	M08500	
..	DS	..	..	..	..	..	..	..	..	..	..	..	..	..	..	18.6	..			M08600	
..	SDS	..	..	..	..	..	..	..	..	..	..	..	..	..	..	17.7	10.0			M08700	
EI 96 x 35.7	SS	28 (1 x 12) + (2 x 8)	32.6	35.7	61.8	72.2	18.25	43.7	47.2	59.4	1.5	5.08	7.62	53.34	52.5		12.45	800	144.0	M09000	
..	DS	..	..	..	..	..	..	..	..	..	..	..	..	..	..	21.35	..			M09100	
..	SDS	..	..	..	..	..	..	..	..	..	..	..	..	..	..	20.25	12.2			M09200	
EI 96 x 45.7	SS	28 (1 x 12) + (2 x 8)	32.6	45.7	61.8	82.2	18.25	43.7	47.2	59.4	1.5	5.08	7.62	53.34	52.5		12.35	800	173.0	M09700	
..	DS	..	..	..	..	..	..	..	..	..	..	..	..	..	..	21.35	..			M09800	
..	SDS	..	..	..	..	..	..	..	..	..	..	..	..	..	..	20.25	12.1			M09900	
EI 96 x 45.7	SS	Staked Terminals	00.0	00.0	00.0	00.0	00.0	00.0	00.0	500.0	00.0	00.0	00.0	00.0	00.0	00.0	00.0	000	00.0		M09705*
..	DS	..	..	..	..	..	..	..	..	..	..	..	..	..	..	..	..				M09805
..	SDS	..	..	..	..	..	..	..	..	..	..	..	..	..	..	..	..				M09905

Standard materials: Nylon 66 glass reinforced / Nylon 66 glass reinforced to UL94V0 Dimensions in millimetres  
 †Refer to VA Ratings - Section 9 Page 2. \*See web drawings.

Miles-Platts terminals & wire are now being converted to lead-free  
 - please refer to technical sales for details

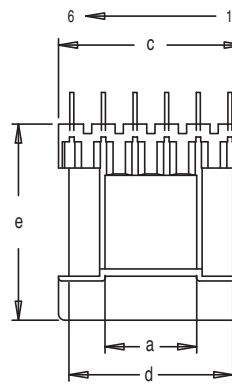
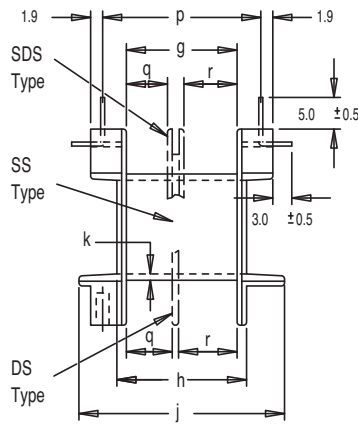
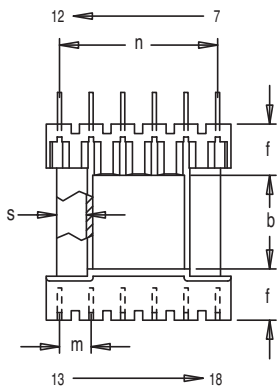


EI 38



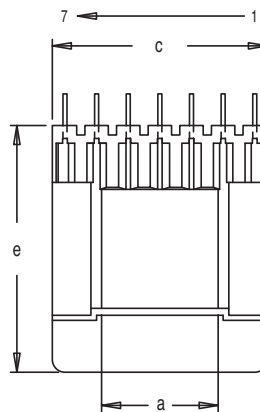
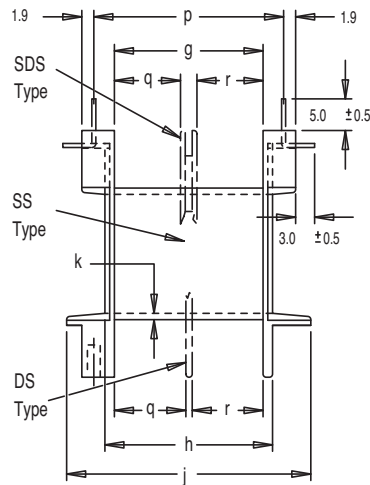
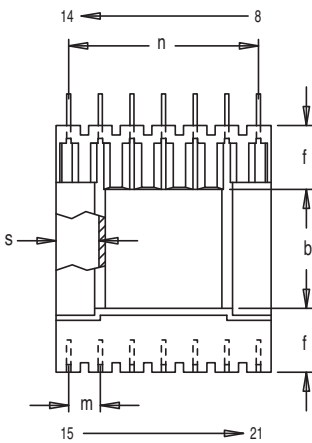
EI 38 x 13.6  
EI 38 x 20.0  
(15 Terminal bobbins)

EI 42 & EI 48



EI 42 x 14.8  
EI 48 x 16.8  
EI 48 x 20.8  
(18 Terminal bobbins)

EI 54 & EI 60



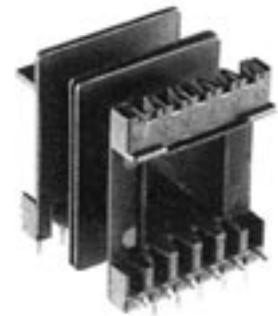
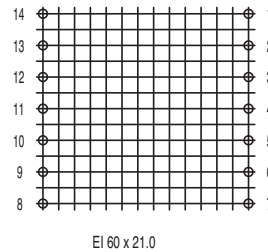
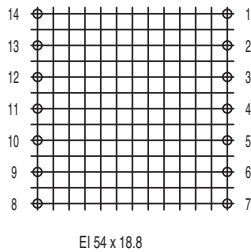
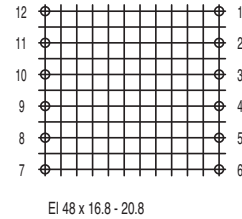
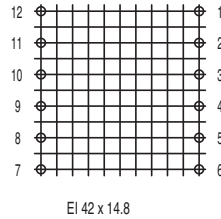
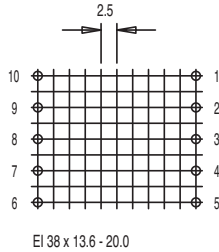
EI 54 x 18.8  
EI 60 x 21.0  
(21 Terminal bobbins)

For use with TBS 600 series terminals (1 row) and 0.635 Sq. Phosphor Bronze wire (2 rows)

Standard materials: Nylon 66 glass reinforced / Nylon 66 glass reinforced to UL94V0 Dimensions in millimetres



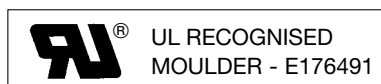
Metric Range



Bobbin size	Type	TBS 600 terms	No. of 0.635 Sq. pins	a	b	c	d	e	f	g	h	j	k	l	m	n	p	q	r	s	Core Material	Frame VA†	Part No.
EI 38 x 13.6	SS	5	10 (2 x 5)	13.3	13.6	23.5		28.0	7.2	15.9	18.7	30.7	1.0	1.4	5.0	20.0	25.0			4.1	800	3.0	M01201
..	DS	..	..	..	..	..		..	..	..	..	..	..	..	..	..	..	6.4	8.5	..			M01301
..	SDS	..	..	..	..	..		..	..	..	..	..	..	..	..	..	..	5.7	7.7	..			M01401
EI 38 x 20.0	SS	5	10 (2 x 5)	13.3	20.0	25.0		34.4	7.2	15.9	18.7	30.7	1.0	1.0	5.0	20.0	25.0			4.85	800	4.2	M01751
..	DS	..	..	..	..	..		..	..	..	..	..	..	..	..	..	..	6.4	8.5	..			M01761
..	SDS	..	..	..	..	23.5		..	..	..	..	..	..	..	..	..	..	5.7	7.7	3.85			M01771
EI 42 x 14.8	SS	6	12 (2 x 6)	14.5	14.8	29.2	26.0	31.0	8.1	17.5	20.5	32.5	1.0		5.0	25.0	25.0			4.75	800	4.0	M01801
..	DS	..	..	..	..	..	..	..	..	..	..	..	..	..	..	..	..	7.25	9.25	..			M01901
..	SDS	..	..	..	..	..	..	..	..	..	..	..	..	..	..	..	..	6.4	8.3	..			M02001
EI 48 x 16.8	SS	6	12 (2 x 6)	16.5	16.8	30.0	30.0	34.5	8.85	20.5	23.5	35.5	1.0		5.0	25.0	27.5			5.75	800	7.3	M02301
..	DS	..	..	..	..	..	..	..	..	..	..	..	..	..	..	..	..	9.75	9.75	..			M02401
..	SDS	..	..	..	..	..	..	..	..	..	..	..	..	..	..	..	..	9.0	9.0	5.5			M02501
EI 48 x 20.8	SS	6	12 (2 x 6)	16.5	20.8	30.0	30.0	38.5	8.85	20.5	23.5	36.9	1.0		5.0	25.0	27.5			5.75	800	8.8	M02801
..	DS	..	..	..	..	..	..	..	..	..	..	..	..	..	..	..	..	9.75	9.75	..			M02901
..	SDS	..	..	..	..	..	..	..	..	..	..	..	..	..	..	..	..	9.0	9.0	5.5			M03001
EI 54 x 18.8	SS	7	14 (2 x 7)	18.5	18.8	34.0		39.0	10.1	23.5	26.5	38.5	1.0		5.0	30.0	30.0			6.75	800	12.4	M03401
..	DS	..	..	..	..	..		..	..	..	..	..	..	..	..	..	..	11.25	11.25	..			M03501
..	SDS	..	..	..	..	..		..	..	..	..	..	..	..	..	..	..	10.4	10.4	6.5			M03601
EI 60 x 21.0	SS	7	14 (2 x 7)	20.6	21.0	38.0		42.2	10.6	26.0	29.1	41.6	1.0		5.0	30.0	32.5			7.7	800	18.6	M04601
..	DS	..	..	..	..	..		..	..	..	..	..	..	..	..	..	..	12.5	12.5	..			M04701
..	SDS	..	..	..	..	..		..	..	..	..	..	..	..	..	..	..	11.6	11.6	7.45			M04801

Standard materials: Nylon 66 glass reinforced / Nylon 66 glass reinforced to UL94V0 Dimensions in millimetres  
 †Refer to VA Ratings - Section 9 Page 2.

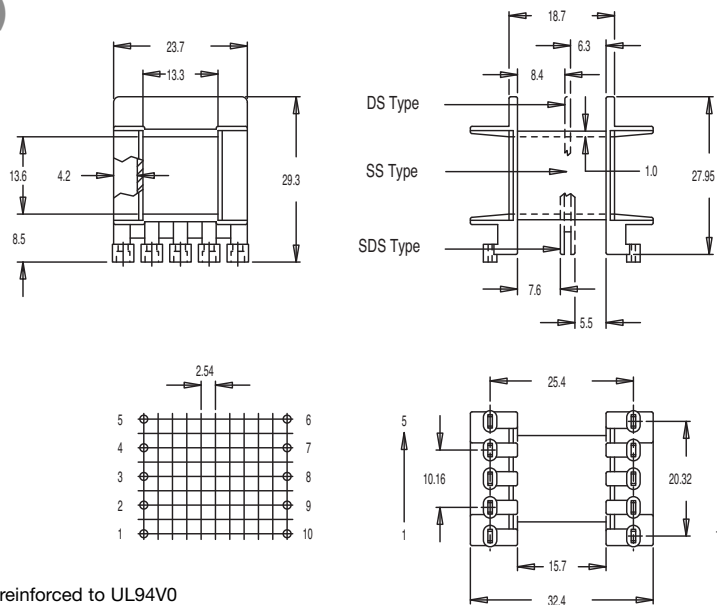
For further technical information please contact sales@milesplatts.co.uk or www.milesplatts.co.uk





**Metric Range**

**EI 38 X 13.6  
(TBS 900 & 901 TERMINALS)**



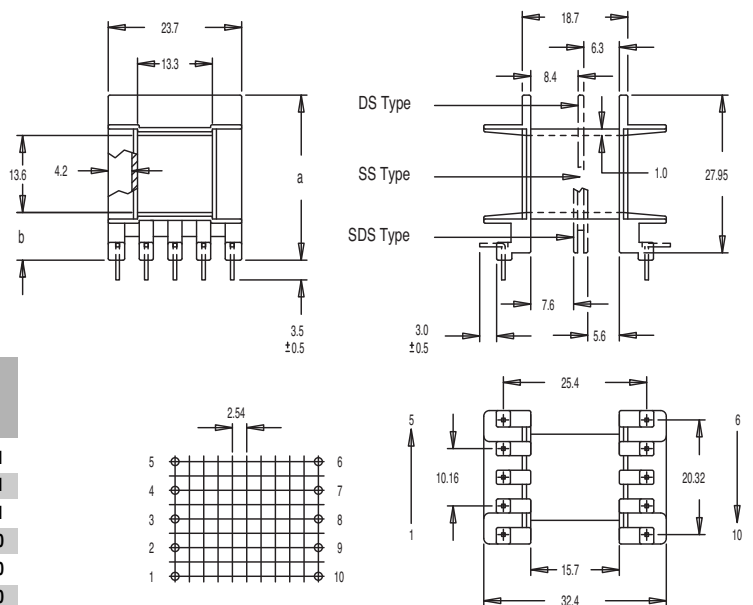
Bobbin size	Type	Terminal Type	No. of Pin available	Part No.
EI 38 x 13.6	SS	TBS 900 & 901	10 (2 x 5)	M00700
EI 38 x 13.6	DS	TBS 900 & 901	10 (2 x 5)	M00800
EI 38 x 13.6	SDS	TBS 900 & 901	10 (2 x 5)	M00900

Standard materials: Nylon 66 glass reinforced / Nylon 66 glass reinforced to UL94V0

Dimensions in millimetres

Some full insulation covers listed have hooks for clipping together, this feature is being phased out.

**EI 38 X 13.6  
(SQUARE WIRE PINS)**



Bobbin size	Type	Dim a	Dim b	No. of pins available	Pin size	Part No.
EI 38 x 13.6	SS	29.3	8.5	10 (2 x 5)	0.635 Sq.	M00701
EI 38 x 13.6	DS	29.3	8.5	10 (2 x 5)	0.635 Sq.	M00801
EI 38 x 13.6	SDS	29.3	8.5	10 (2 x 5)	0.635 Sq.	M00901
EI 38 x 13.6	SS	30.3	9.5	10 (2 x 5)	0.635 Sq.	M00710
EI 38 x 13.6	DS	30.3	9.5	10 (2 x 5)	0.635 Sq.	M00810
EI 38 x 13.6	SDS	30.3	9.5	10 (2 x 5)	0.635 Sq.	M00910

Standard materials: Nylon 66 glass reinforced / Nylon 66 glass reinforced to UL94V0

Pin material: Phosphor Bronze. Dimensions in millimetres

Miles-Platts terminals & wire are now being converted to lead-free  
- please refer to technical sales for details



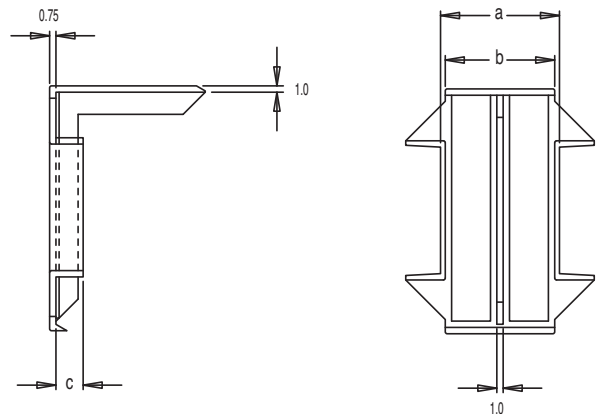
# Metric Range

## FULL INSULATION COVERS

Bobbin size	a	b	c	Part No.
EI 38 x 13.6	18.7	17.2	4.5	M01700
EI 38 x 20.0	18.7	17.2	4.5	M01790
EI 42 x 14.8	20.5	19.0	4.8	M02200
EI 48 x 16.8	23.5	22.0	5.7	M02700
EI 48 x 20.8	23.5	22.0	5.7	M03200
EI 48 x 27.0	00.0	00.0	0.0	M03370*
EI 54 x 18.8	26.5	25.0	6.0	M04000
EI 54 x 25.5	26.5	25.0	6.0	M04500
EI 60 x 21.0	29.3	27.8	6.0	M05100
EI 60 x 25.5	29.0	27.5	6.0	M05120
EI 60 x 33.0	29.3	27.8	6.0	M05190
EI 66 x 23.0	32.5	31.0	6.1	M05800
EI 66 x 34.5	32.5	31.0	6.1	M06300
EI 75 x 32.0	37.0	35.5	6.1	M06900
EI 78 x 27.5	38.5	37.0	6.0	M07600
EI 84 x 29.5	41.2	39.7	6.1	M08300



For bobbins not served by full insulation covers, side and top covers are available. Details available on request.



Standard materials: Nylon 66 / Nylon 66 to UL94V0

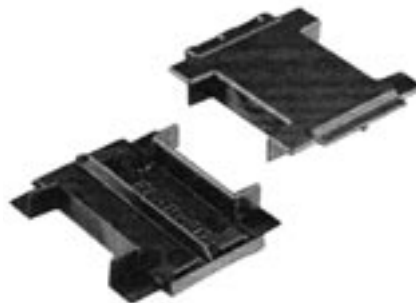
Dimensions in millimetres

Some full insulation covers listed have hooks for clipping together, this feature is being phased out. \*See web drawings.

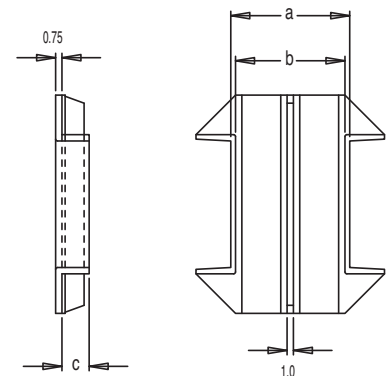
Insulation covers are sold in pairs.

## HALF INSULATION COVERS

Bobbin size	a	b	c	Part No.
EI 38 x 13.6	18.7	17.2	4.4	M01500
EI 38 x 20.0	18.7	17.2	4.4	M01780
EI 42 x 14.8	20.5	19.0	4.85	M02100
EI 48 x 16.8	23.5	22.0	5.9	M02600
EI 48 x 20.8	23.5	22.0	5.9	M03100
EI 54 x 18.8	26.5	25.0	6.0	M03800
EI 54 x 25.5	26.5	25.0	6.0	M04400
EI 60 x 21.0	29.3	27.8	6.0	M05000
EI 60 x 25.5	29.0	27.6	6.0	M05110
EI 60 x 33.0	29.3	27.8	6.0	M05180
EI 66 x 23.0	32.5	31.0	6.0	M05600
EI 66 x 34.5	32.5	31.0	6.0	M06200
EI 84 x 29.5	41.3	39.8	6.0	M08100



For bobbins not served by full insulation covers, side and top covers are available. Details available on request.



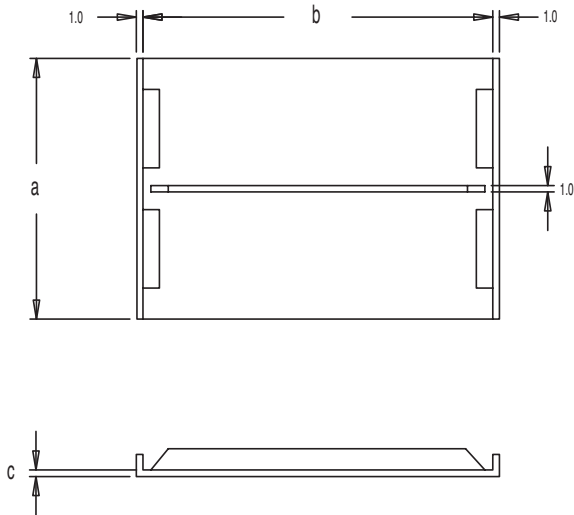
Standard materials: Nylon 66 / Nylon 66 to UL94V0 Dimensions in millimetres Actual design may vary dependent on size.

Insulation covers are sold in pairs.

For further technical information please contact sales  
Tel: +44 (0) 116 262 2593 Fax: +44 (0) 116 253 7889



### EI 84 & EI 96 TOP COVERS

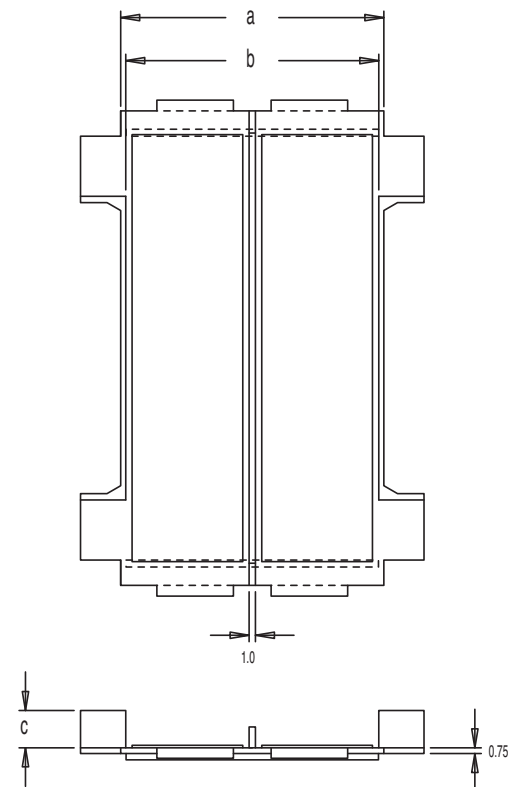


Bobbin size	a	b	c	Part No.
EI 84	41.2	55.3	1.0	M08200
EI 96	47.0	63.5	0.75	M09400

Standard materials: Nylon 66 / Nylon 66 to UL94V0  
Dimensions in millimetres

Insulation covers are sold in pairs.

### EI 84 & EI 96 SIDE COVERS



Bobbin size	a	b	c	Part No.
EI 84 x 43.5	41.2	39.7	6.0	M08900
EI 96 x 35.7	47.2	45.7	6.0	M09300
EI 96 x 45.7	47.2	45.7	6.0	M10000

Standard materials: Nylon 66 / Nylon 66 to UL94V0  
Dimensions in millimetres

Insulation covers are sold in pairs.