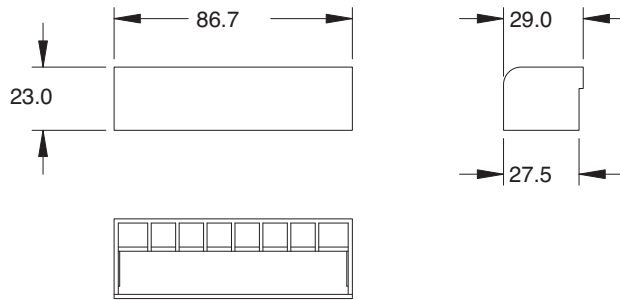
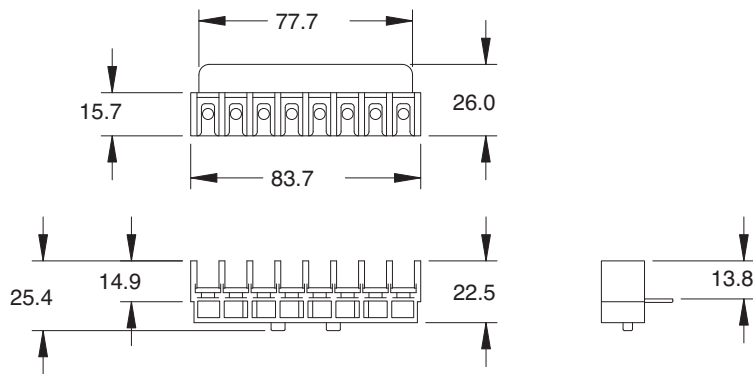




30 Amp 8 Way Terminal Block & Cover

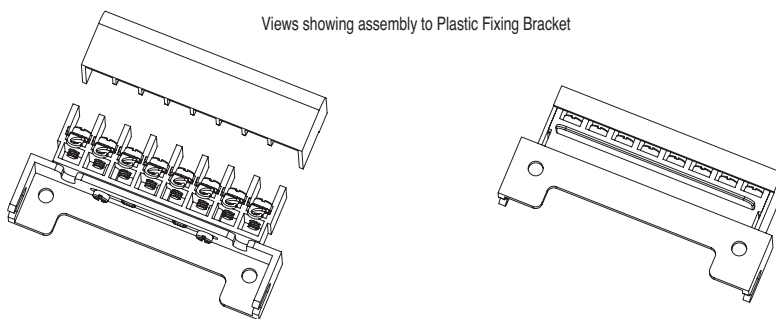


Part No. TC030008



Part No. TB030008

Views showing assembly to Plastic Fixing Bracket

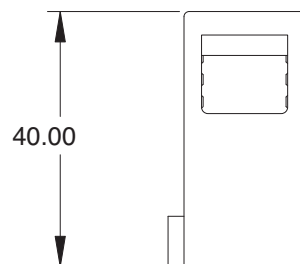
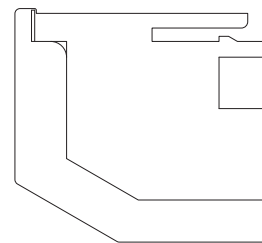
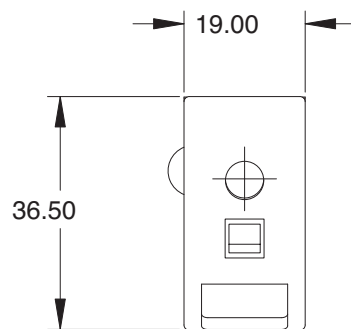


Solder/screw terminals fitted in each position



63 Amp Single Way Interlocking Clip Type Terminal Block

63 Amp Single Way Interlocking Clip Type Terminal Block



Part No. TB063001

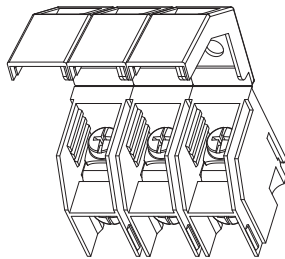
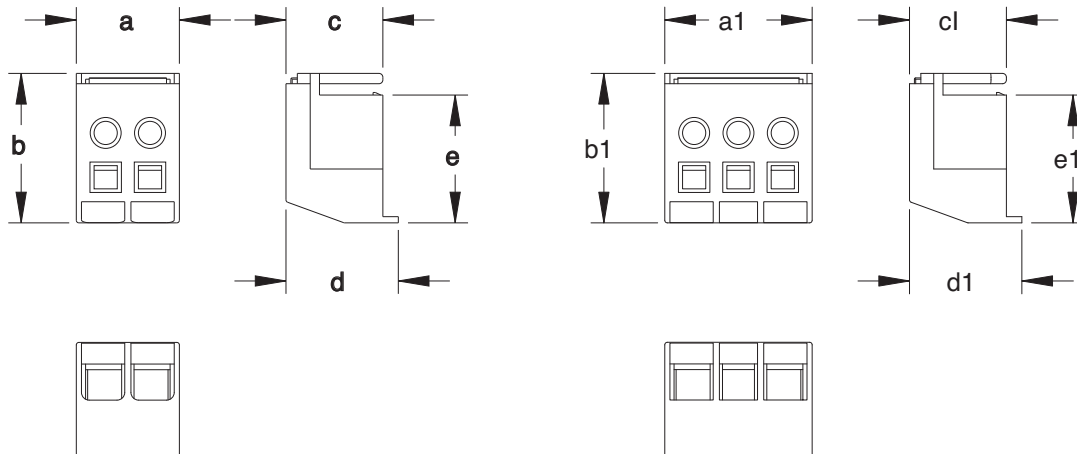
Multi-way terminal assemblies can be achieved

Type	a	b	c	Part No
Single Amp	19	36,5	40.0	TB 063001

Dimensions in millimetres



2 & 3 Way Clip Type Terminal Blocks



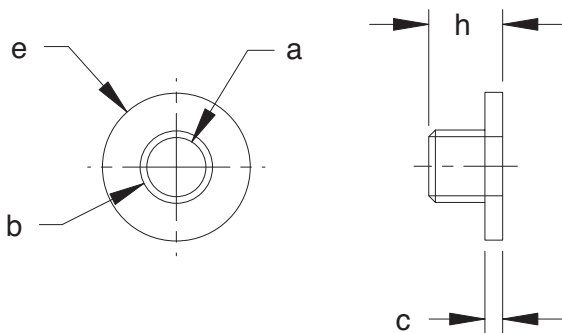
All screw/screw connections

Type	a/a1	b/b1	c/c1	d/d1	e/e1	Part No
2 way 16 Amp	20.0	29,5	20.0	21,5	25.0	TB 016002
3 way 16 Amp	29.0	29,5	20.0	21,5	25.0	TB 016003

Type	a/a1	b/b1	c/c1	d/d1	e/e1	Part No
2 way 30 Amp	20,5	29,5	20.0	21,5	25.0	TB 030002
3 way 30 Amp	34,5	29,5	20.0	21,5	25.0	TB 030003

Dimensions in millimetres

Core Bolt Insulation Bushes



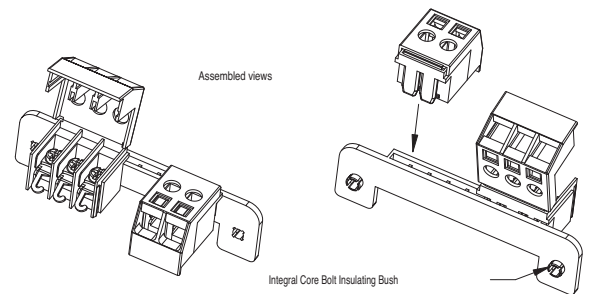
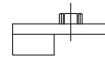
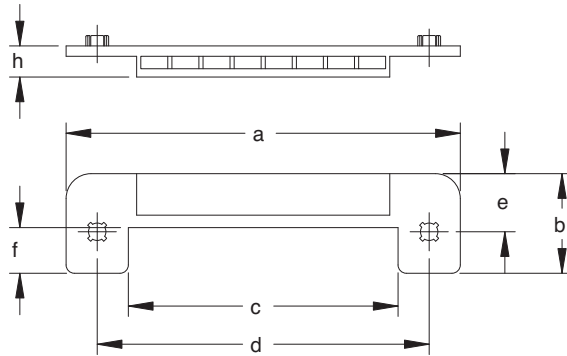
Bolt Size	a	b	c	e	h	Part No
M4	4.0	4,9	1,2	10.0	5.0	IBM 0401
M5	5.0	5,9	1,5	12.0	6.0	IBM 0501
M6	6.0	7,6	1,5	14.0	7.0	IBM 0601
M8	8.0	9,6	2.0	19.0	11.0	IBM 0801
M10	10.0	11,6	2.0	21.0	15.0	IBM 1001
M12	12.0	13,6	2,5	25.0	17.0	IBM 1201

Standard materials: Nylon 6 Dimensions in millimetres



Metric Range Accessories

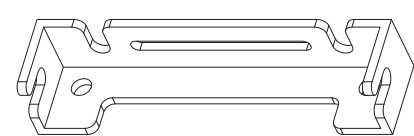
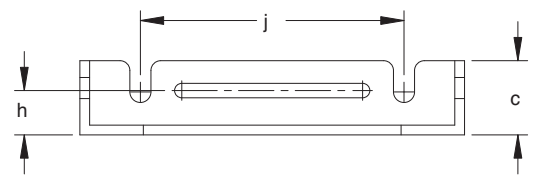
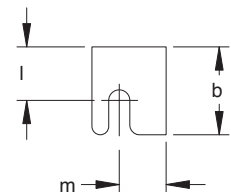
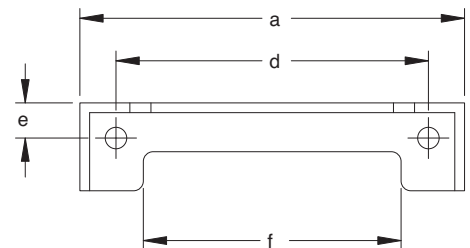
Plastic Portal Clamps



Lamination Pattern	a	b	c	d	e	f	h	Part No
EI 84	81.8	27.0	58.8	70.0	17.0	14.0	7.8	PPCE084
EI 96	94.8	24.0	64.5	80.0	14.5	11.0	7.8	PPCE096
EI 120	119.0	24.0	81.8	100.0	10.0	12.5	7.8	PPCE120
EI 150	146.0	30.0	102.0	125.0	12.5	11.5	7.8	PPCE150

Standard materials: Nylon glass reinforced Dimensions in millimetres

Plastic Fixing Bracket



Lamination Size	a	b	c	d	e	f	j	h	m	Part No
EI 84	86.7	22.8	19.2	70.0	9.0	59.5	60.0	7.8	12.0	MPFB 0841
EI 96	98.8	23.0	19.0	80.0	9.0	66.0	68.0	8.5	12.0	MPFB 0961

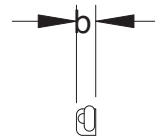
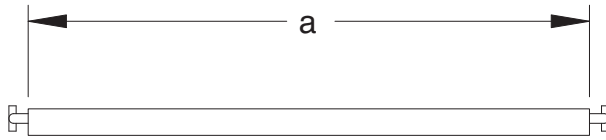
Standard materials: Nylon glass reinforced Dimensions in millimetres

Miles-Platts terminals & wire are now being converted to lead-free
- please refer to technical sales for details

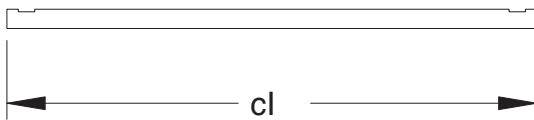
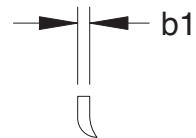
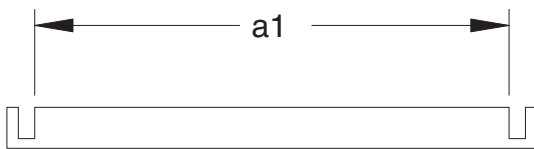


Winding Profile Spacers

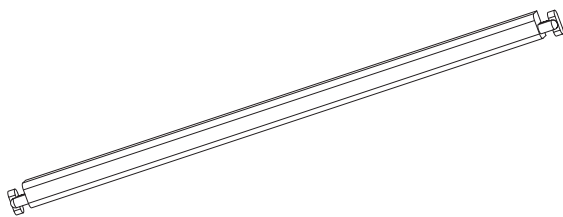
Section 3



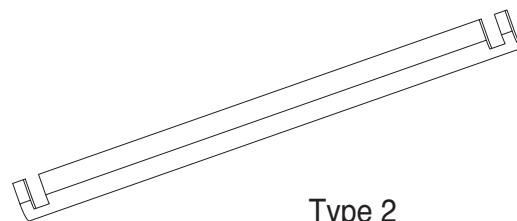
Type 1



Type 2



Type 1



Type 2

Type No	a mm	b mm	c mm	a1 mm	b1 mm	c1 mm	Part No	Used With Bobbin Part No	Bobbin Style
1	114	8	130	-	-	-	PFU1201	U120 - - - -	-
1	144	8	160	-	-	-	PFU1501	U150 - - - -	-
1	172	8	188	-	-	-	PFU1801	U180 - - - -	-
1	202	8	220	-	-	-	PFU2101	U210 - - - -	Style 1
2	-	-	-	196	7	220	PFU2102	U210 - - - -	Style 2
1	233	8	249	-	-	-	PFU2401	U240 - - - -	-
2	-	-	-	282	7	310	PFU3002	U300 - - - -	-