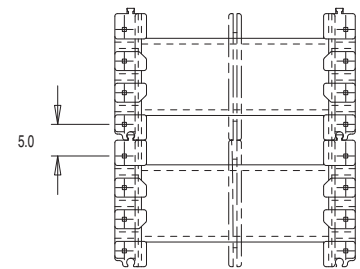
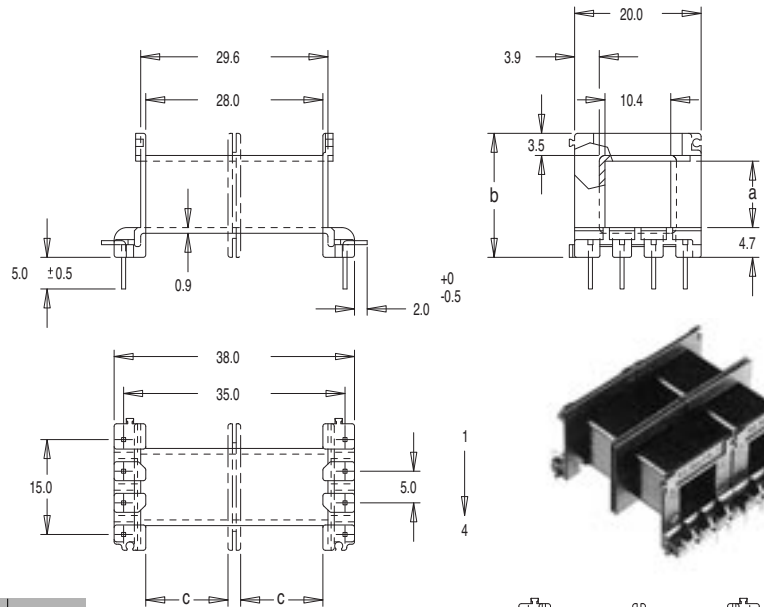
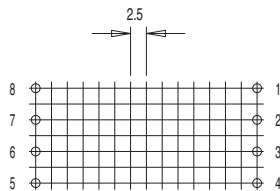




U Range

UI 30 SERIES

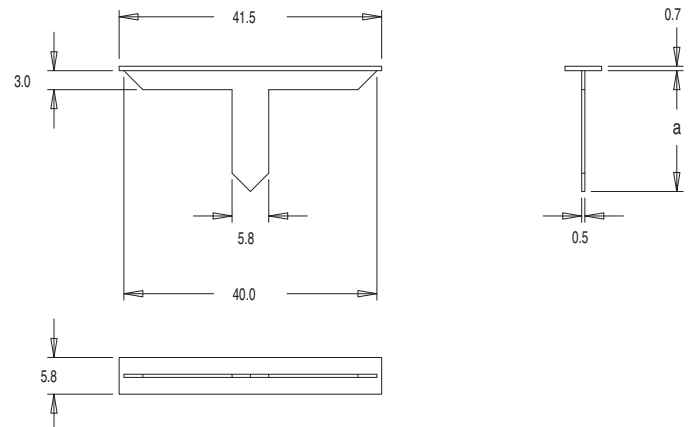


Showing bobbins assembled.

Bobbin size	Type	a	b	c	No. of pins available	Pin size	Part No.
UI 30 x 5.5	SDS	5.5	14.6	13.0	8 (2 x 4)	0.635 Sq.	U30051
UI 30 x 5.5	SS	5.5	14.6		8 (2 x 4)	0.635 Sq.	U30056
UI 30 x 7.5	SDS	7.5	16.6	13.0	8 (2 x 4)	0.635 Sq.	U30071
UI 30 x 7.5	SS	7.5	16.6		8 (2 x 4)	0.635 Sq.	U30076
UI 30 x 10.5	SDS	10.5	19.6	13.0	8 (2 x 4)	0.635 Sq.	U30101
UI 30 x 10.5	SS	10.5	19.6		8 (2 x 4)	0.635 Sq.	U30106
UI 30 x 16.5	SDS	16.5	25.6	13.0	8 (2 x 4)	0.635 Sq.	U30161
UI 30 x 16.5	SS	16.5	25.6		8 (2 x 4)	0.635 Sq.	U30166

Standard materials: Nylon 66 glass reinforced / Nylon 66 glass reinforced to UL94V0  
Pin material: Phosphor Bronze Dimensions in millimetres

UI 30 T-PIECE



Bobbin size	a	Part No.
UI 30 x 5.5	14.1	U30058
UI 30 x 7.5	16.1	U30078
UI 30 x 10.5	19.1	U30108
UI 30 x 16.5	25.1	U30168

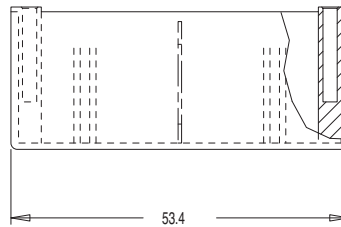
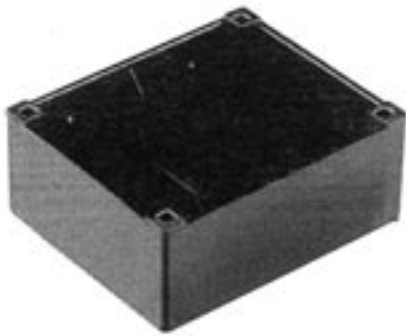
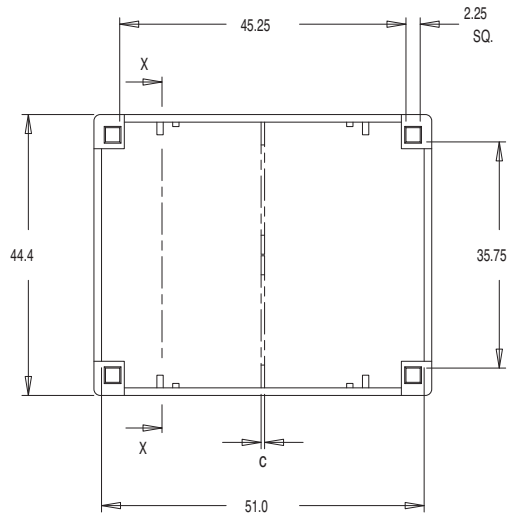
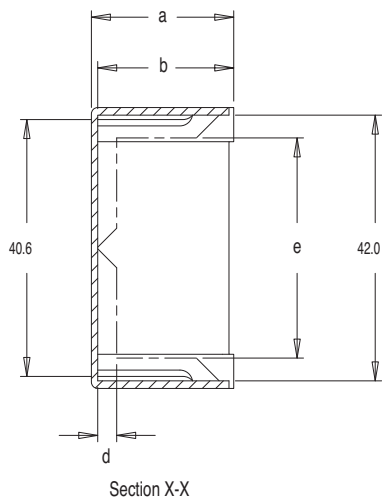
Standard materials: Nylon 66 / Nylon 66 to UL94V0 Dimensions in millimetres

For further technical information please contact  
sales@milesplatts.co.uk or www.milesplatts.co.uk



# U Range

## UI 30 BOXES



Bobbin size	Description	a	b	c	d	e	Part No.
UI 30 x 5.5	Box	17.5	16.5				U30057
UI 30 x 5.5	Box with rib	17.5	16.5	0.55	3.0	34.8	U30059
UI 30 x 7.5	Box	19.5	18.5				U30077
UI 30 x 7.5	Box with rib	19.5	18.5	0.55	3.0	34.8	U30079
UI 30 x 10.5	Box	22.5	21.5				U30107
UI 30 x 10.5	Box with rib	22.5	21.5	0.55	3.0	34.8	U30109
UI 30 x 16.5	Box	28.5	27.5				U30167
UI 30 x 16.5	Box with rib	28.5	27.5	0.55	3.0	34.8	U30169

Standard materials: Nylon 66 / Nylon 66 to UL94V0 Dimensions in millimetres

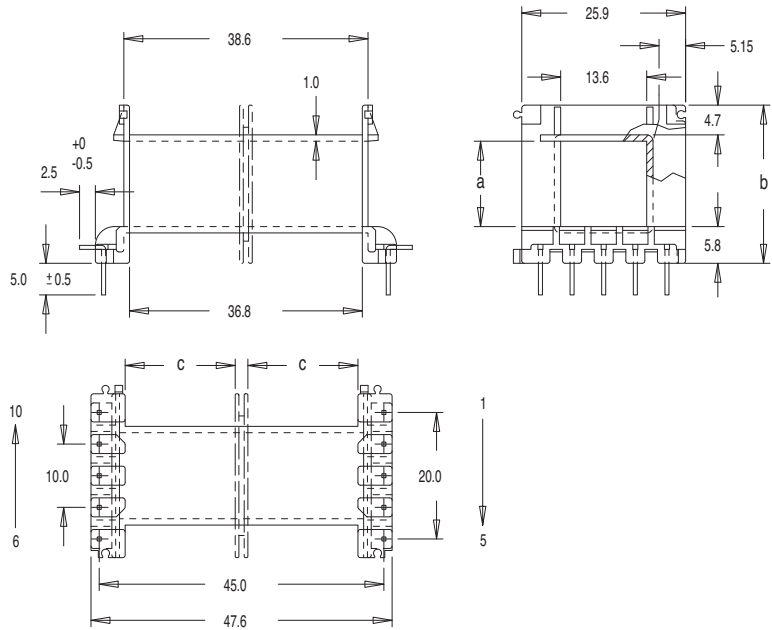
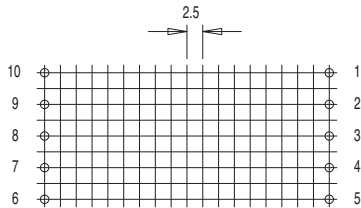
Boxes also available in Blue and Grey to UL94V2

For further technical information please contact sales  
Tel: +44 (0) 116 262 2593 Fax: +44 (0) 116 253 7889

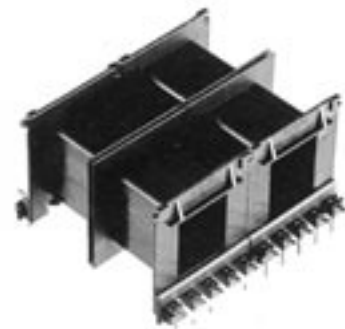


U Range

UI 39 SERIES



Bobbin size	Type	a	b	c	No. of pins available	Pin size	Part No.
UI 39 x 8	SDS	8.1	19.6	17.4	10 (2 x 5)	0.635 Sq.	U39081
UI 39 x 8	SS	8.1	19.6		10 (2 x 5)	0.635 Sq.	U39086
UI 39 x 10.2	SDS	10.2	21.7	17.4	10 (2 x 5)	0.635 Sq.	U39101
UI 39 x 10.2	SS	10.2	21.7		10 (2 x 5)	0.635 Sq.	U39106
UI 39 x 13.5	SDS	13.5	25.0	17.4	10 (2 x 5)	0.635 Sq.	U39131
UI 39 x 13.5	SS	13.5	25.0		10 (2 x 5)	0.635 Sq.	U39136
UI 39 x 17	SDS	17.0	28.5	17.4	10 (2 x 5)	0.635 Sq.	U39171
UI 39 x 17	SS	17.0	28.5		10 (2 x 5)	0.635 Sq.	U39176
UI 39 x 21	SDS	21.0	32.5	17.4	10 (2 x 5)	0.635 Sq.	U39211
UI 39 x 21	SS	21.0	32.5		10 (2 x 5)	0.635 Sq.	U39216

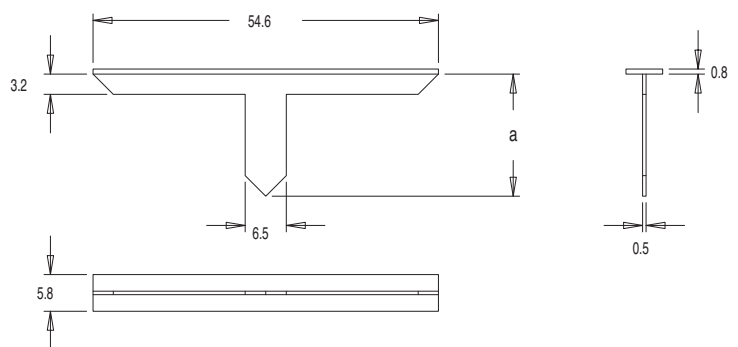


Standard materials: Nylon 66 glass reinforced / Nylon 66 glass reinforced to UL94V0  
Pin material: Phosphor Bronze Dimensions in millimetres

UI 39 T-PIECE



Bobbin size	a	Part No.
UI 39 x 8	19.3	U39088
UI 39 x 10.2	21.4	U39108
UI 39 x 13.5	24.7	U39138
UI 39 x 17	28.2	U39178
UI 39 x 21	32.2	U39218



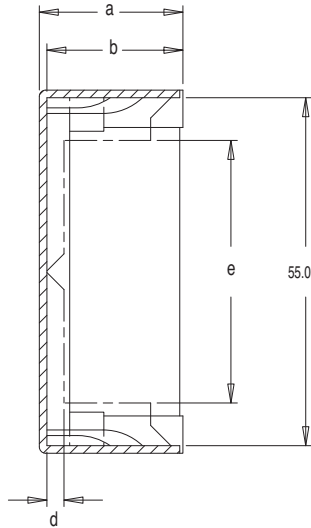
Standard materials: Nylon 66 / Nylon 66 to UL94V0 Dimensions in millimetres

Most products are available direct from stock with same day despatch  
- please contact sales for details

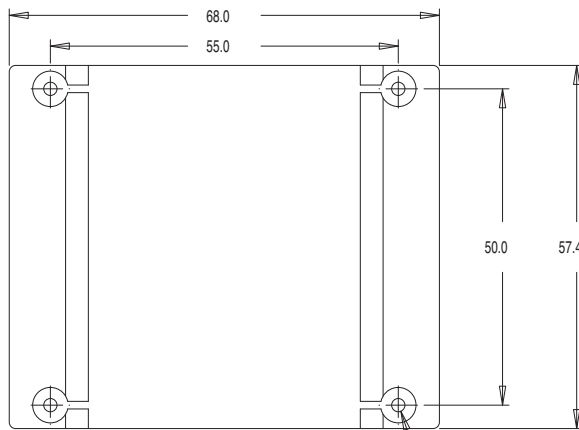
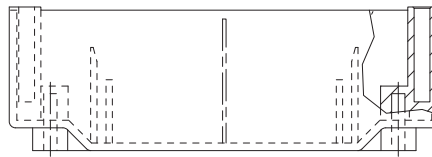
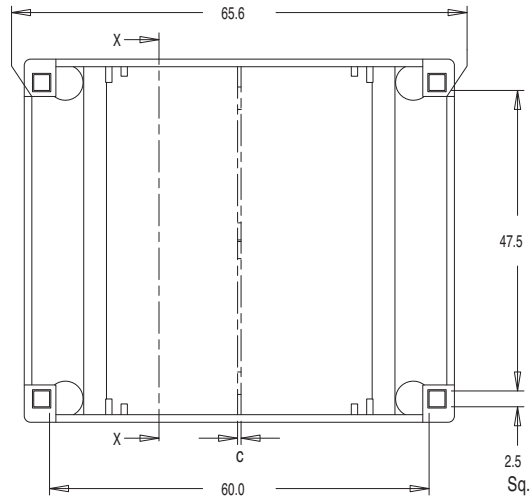


# U Range

## UI 39 BOXES



Section X-X



Ø2.1



Bobbin size	Description	a	b	c	d	e	Part No.
UI 39 x 8	Box	22.7	21.5				U39087
UI 39 x 8	Box with rib	22.7	21.5	0.55	3.2	45.5	U39089
UI 39 x 10.2	Box	24.8	23.6				U39107
UI 39 x 10.2	Box with rib	24.8	23.6	0.55	3.2	45.5	U39109
UI 39 x 13.5	Box	28.1	26.9				U39137
UI 39 x 13.5	Box with rib	28.1	26.9	0.55	3.2	45.5	U39139
UI 39 x 17.0	Box	31.6	30.4				U39177
UI 39 x 17.0	Box with rib	31.6	30.4	0.55	3.2	45.5	U39179
UI 39 x 21.0	Box	35.6	34.4				U39217
UI 39 x 21.0	Box with rib	35.6	34.4	0.55	3.2	45.5	U39219

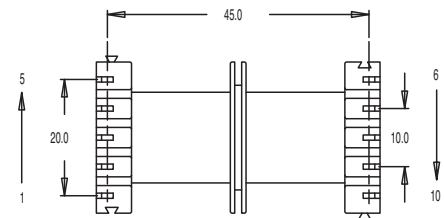
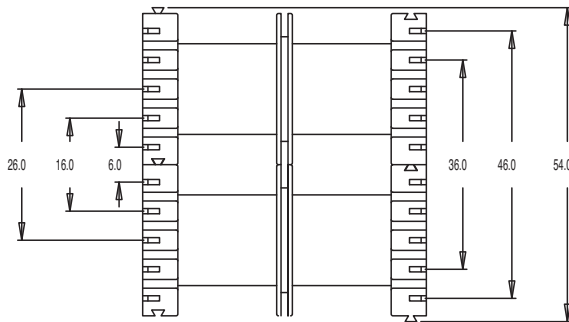
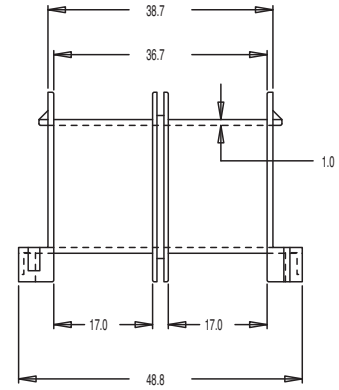
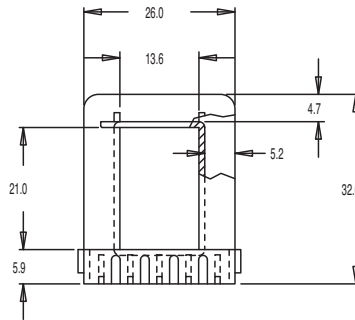
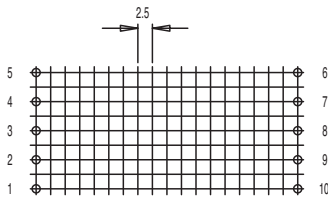
Standard materials: Nylon 66 / Nylon 66 to UL94V0    Dimensions in millimetres

Miles-Platts terminals & wire are now being converted to lead-free  
- please refer to technical sales for details



# U Range

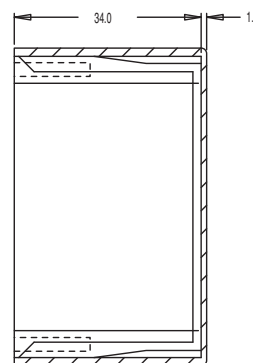
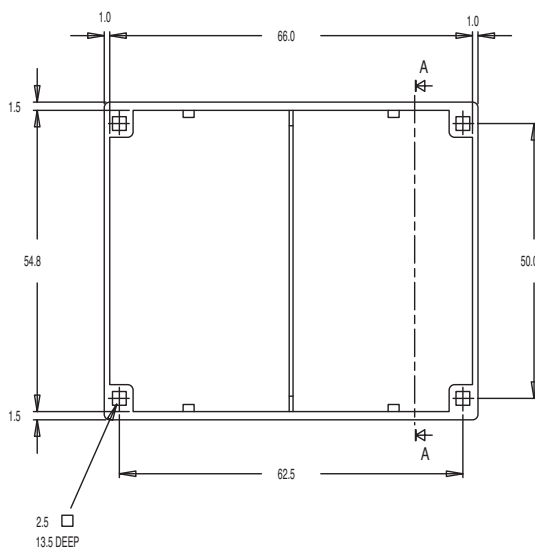
## UI 39 X 21



Bobbin size	Type	No. of terminals available	Terminal type	Part No.
UI 39 x 21	DS	10 (2 x 5)	TBS 600 Series	UI2500

Standard materials: Nylon 66 glass reinforced to UL94V0  
Dimensions in millimetres

## UI 39 X 21 BOX



Section A-A

Box size			Part No.
UI 39 x 21			UI2510

Standard materials: Nylon 66 glass reinforced to UL94V0  
Dimensions in millimetres