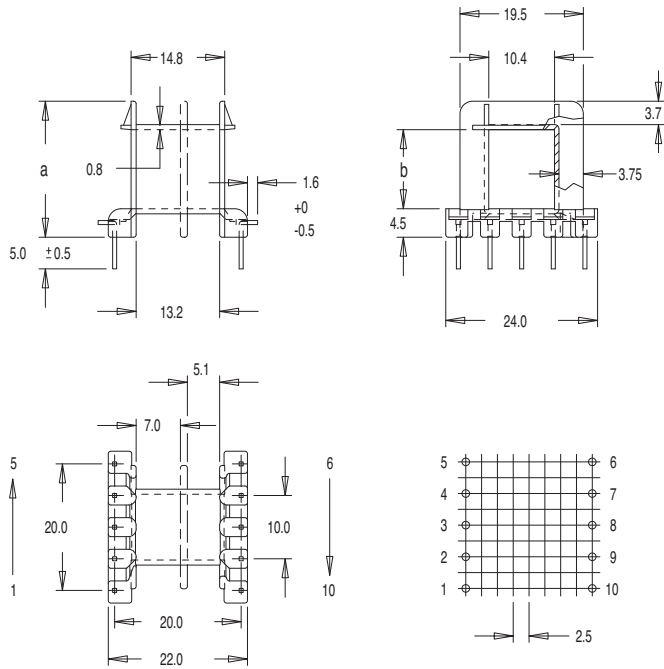




EI 30 LOW PROFILE



Section 4

Bobbin size	Type	No. of pins available	a	b	Pin size	Core Material	Frame VA†	Part No.
EI 30 x 5.0	SS	10 (2 x 5)	14.1	5.1	0.635 Sq.	800-50	0.7	N30051
EI 30 x 5.0	DS	10 (2 x 5)	14.1	5.1	0.635 Sq.			N30052
EI 30 x 10.5	SS	10 (2 x 5)	19.5	10.5	0.635 Sq.	800-50	1.4	N30101
EI 30 x 10.5	DS	10 (2 x 5)	19.5	10.5	0.635 Sq.			N30102
EI 30 x 12.5	SS	10 (2 x 5)	21.5	12.5	0.635 Sq.	800-50	1.5	N30121
EI 30 x 12.5	DS	10 (2 x 5)	21.5	12.5	0.635 Sq.			N30122
EI 30 x 15.5	SS	10 (2 x 5)	24.5	15.5	0.635 Sq.	800-50	1.7	N30151
EI 30 x 15.5	DS	10 (2 x 5)	24.5	15.5	0.635 Sq.			N30152
EI 30 x 18.0	SS	10 (2 x 5)	27.0	18.0	0.635 Sq.	800-50	2.1	N30181
EI 30 x 18.0	DS	10 (2 x 5)	27.0	18.0	0.635 Sq.			N30182

Standard materials: Nylon 66 glass reinforced / Nylon 66 glass reinforced to UL94V0 Pin material: Phosphor Bronze Dimensions in millimetres
 †Refer to VA Ratings - Section 9 Page 2.

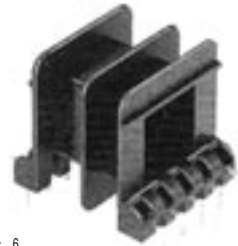
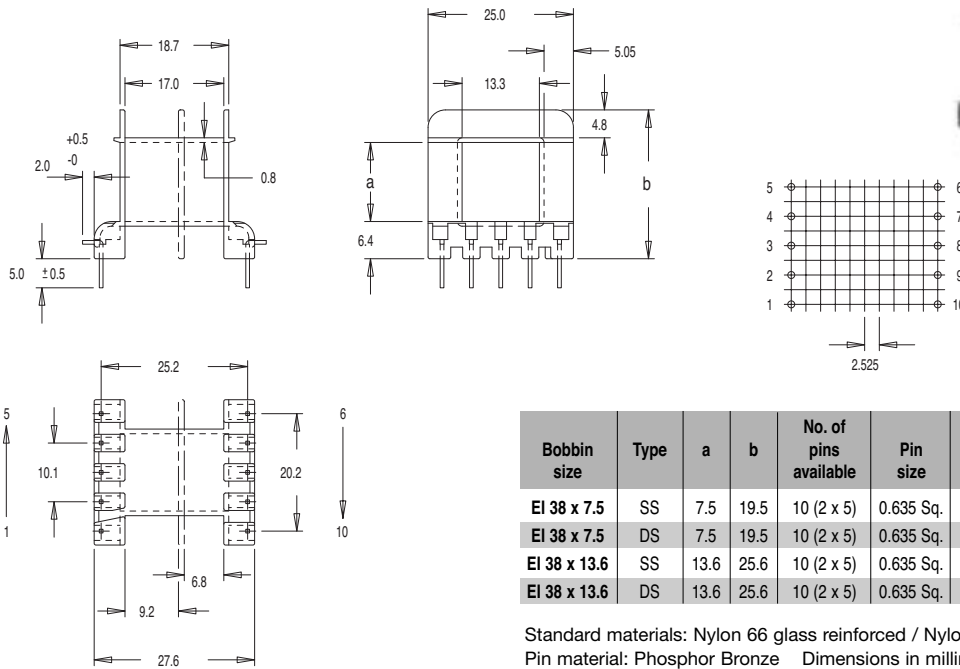
For further technical information please contact sales
 Tel: +44 (0) 116 262 2593 Fax: +44 (0) 116 253 7889



N Range

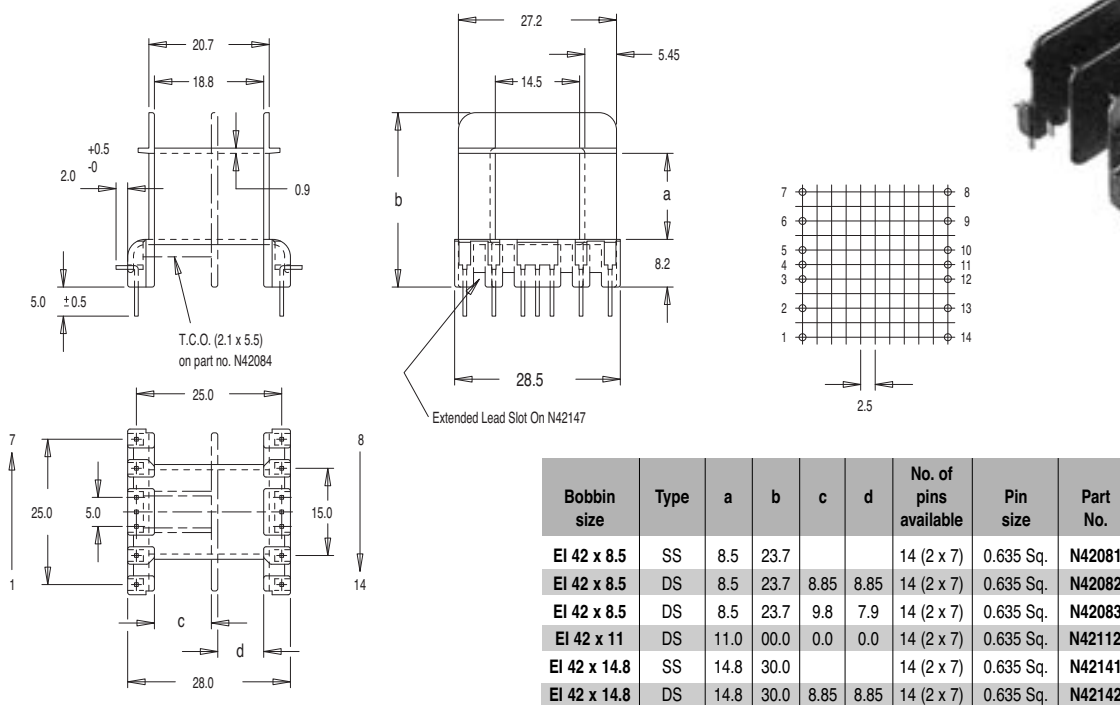
MILES · PLATTS

EI 38 LOW PROFILE



Section 4

EI 42 LOW PROFILE

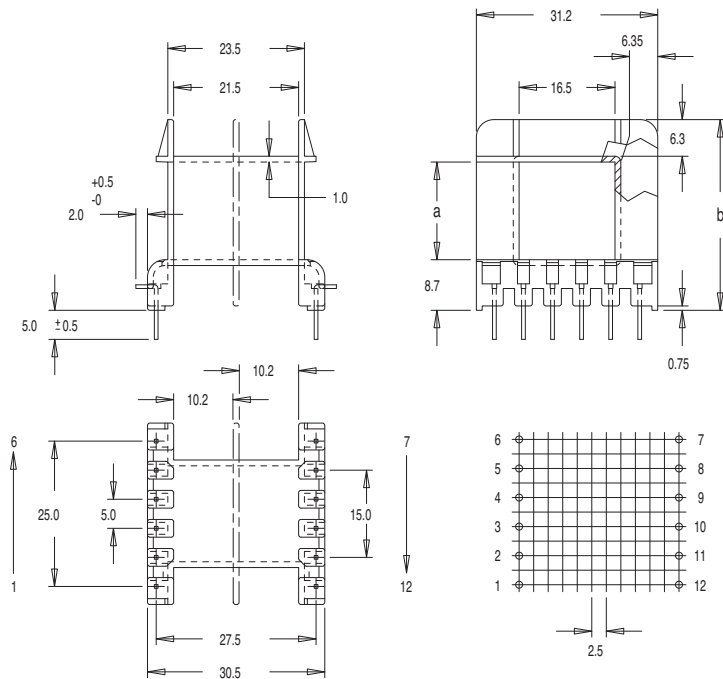


Most products are available direct from stock with same day despatch - please contact sales for details



N Range

EI 48 LOW PROFILE

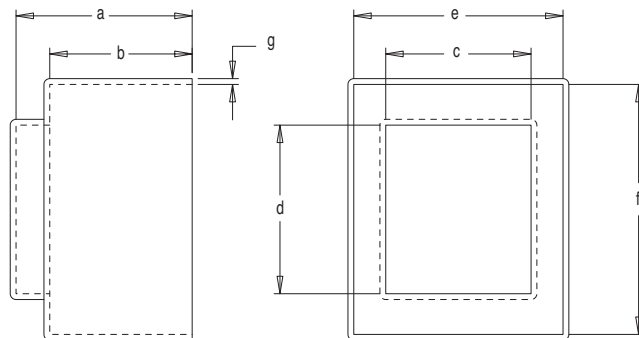


Section 4

Bobbin size	Type	a	b	No. of pins available	Pin size	Part No.
EI 48 x 16.8	SS	16.8	32.8	12 (2 x 6)	0.635 Sq.	N48161
EI 48 x 16.8	DS	16.8	32.8	12 (2 x 6)	0.635 Sq.	N48162
EI 48 x 20.5	SS	20.5	36.5	12 (2 x 6)	0.635 Sq.	N48201
EI 48 x 20.5	DS	20.5	36.5	12 (2 x 6)	0.635 Sq.	N48202

Standard materials: Nylon 66 glass reinforced / Nylon 66 glass reinforced to UL94V0 Pin material: Phosphor Bronze Dimensions in millimetres

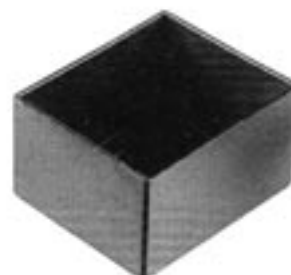
EI 30/38/42/48/54 BOXES



Bobbin size	a	b	c	d	e	f	g	Part No.
EI 30 x 5.0	14.5	10.9	18.6	22.0	25.7	30.7	0.8	N30059
EI 30 x 10.5	20.5	16.9	18.6	22.0	25.7	30.7	0.8	N30109
EI 30 x 12.5	22.5	18.9	18.6	22.0	25.7	30.7	0.8	N30129
EI 30 x 15.5	25.5	21.9	18.6	22.0	25.7	30.7	0.8	N30159
EI 30 x 18.0	28.0	24.4	18.6	22.0	25.7	30.7	0.8	N30189
EI 38 x 7.5	20.1	14.6	22.5	27.0	32.8	39.2	1.0	N38079
EI 38 x 13.6	26.2	20.9	22.5	27.0	32.8	39.2	1.0	N38139
EI 42 x 8.5	24.2	18.2	25.0	29.0	36.0	43.0	1.0	N42089
EI 42 x 14.8	30.5	24.5	25.0	29.0	36.0	43.0	1.0	N42149
EI 48 x 16.8	33.4	26.4	29.3	33.3	40.9	48.9	1.0	N48169
EI 48 x 20.5	37.1	30.1	29.3	33.3	40.9	48.9	1.0	N48209
EI 54 x 18.8	38.0	31.0	30.7	35.8	45.5	54.5	0.8	N54189

Standard materials: Nylon 66 / Nylon 66 to UL94V0 Dimensions in millimetres

Boxes also available in Blue and Grey to UL94V2

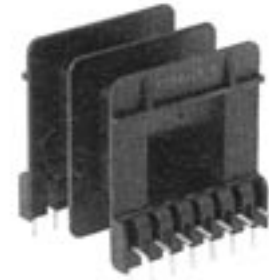
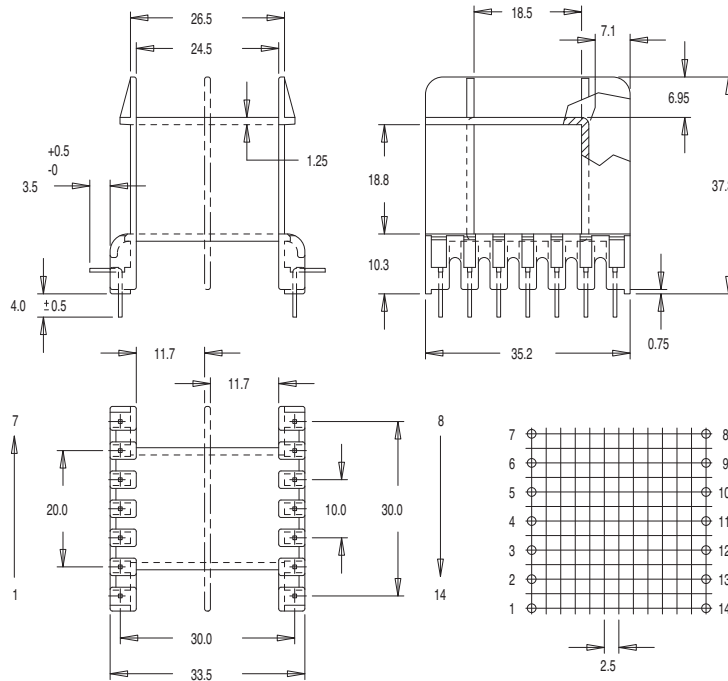


Miles-Platts terminals & wire are now being converted to lead-free
- please refer to technical sales for details



N Range

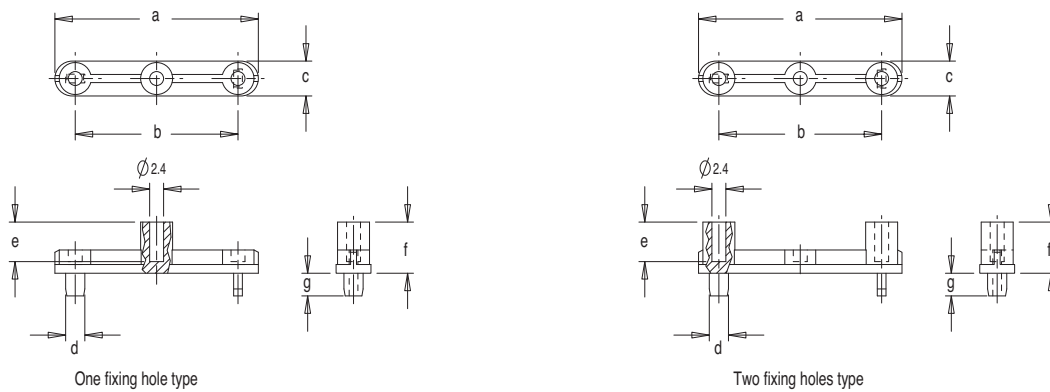
EI 54 LOW PROFILE



Bobbin size	Type	No. of pins available	Pin size	Part No.
EI 54 x 18.8	SS	14 (2 x 7)	0.635 Sq.	N54181
EI 54 x 18.8	DS	14 (2 x 7)	0.635 Sq.	N54182

Standard materials: Nylon 66 glass reinforced / Nylon 66 glass reinforced to UL94V0
Pin material: Phosphor Bronze
Dimensions in millimetres

EI 42/48/54 BASE FIXTURES

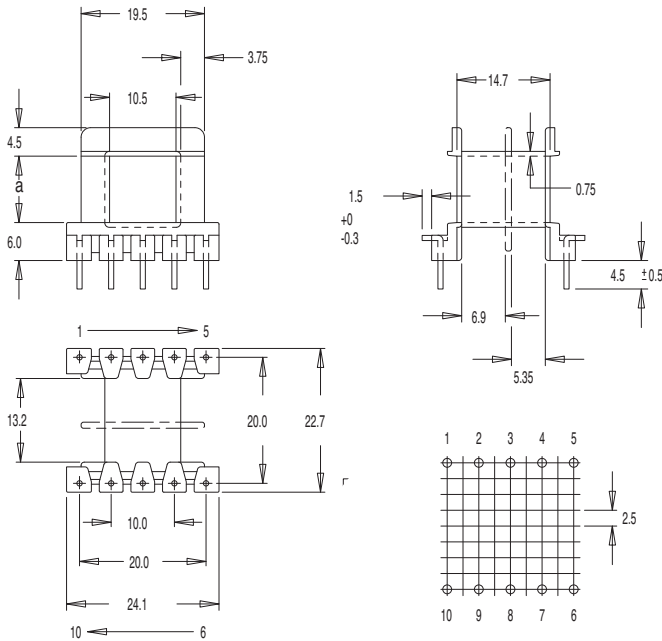


Bobbin size	No. of fixing holes	a	b	c	d	e	f	g	Part No.
EI 42	1	35.0	28.0	6.0	3.3	7.1	8.8	3.9	N42000
EI 42	2	35.0	28.0	6.0	3.3	7.1	8.8	3.9	N42001
EI 48	1	40.0	32.0	7.0	3.3	6.9	8.5	4.0	N48000
EI 48	2	40.0	32.0	7.0	3.3	6.9	8.5	4.0	N48001
EI 54	1	44.0	36.0	8.0	3.4	9.5	10.4	4.0	N54000
EI 54	2	44.0	36.0	8.0	3.4	9.5	10.4	4.0	N54001

Standard materials: Nylon 66 glass reinforced / Nylon 66 glass reinforced to UL94V0
Dimensions in millimetres



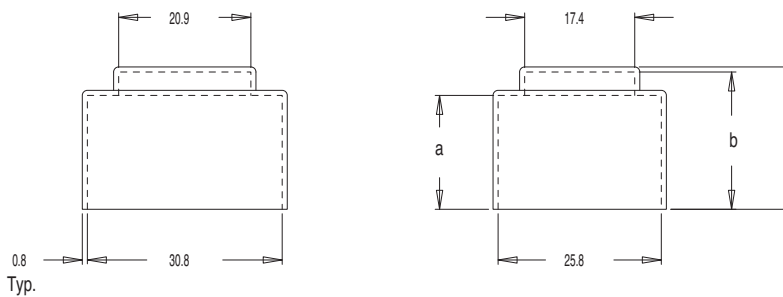
EI 30 (ROUND WIRE)



Bobbin size	Type	No. of pins available	Pin type	a	Part No.
EI 30 x 10.5	SS	10 (2 x 5)	Ø0.8	10.5	M00250
EI 30 x 10.5	DS	10 (2 x 5)	Ø0.8	10.5	M00260
EI 30 x 12.5	SS	10 (2 x 5)	Ø0.8	12.5	M00450
EI 30 x 12.5	DS	10 (2 x 5)	Ø0.8	12.5	M00460
EI 30 x 15.5	SS	10 (2 x 5)	Ø0.8	15.5	M00650
EI 30 x 15.5	SS	10 (2 x 5)	Ø0.8	15.5	M00660
EI 30 x 18.0	SS	10 (2 x 5)	Ø0.8	18.0	M00850
EI 30 x 18.0	DS	10 (2 x 5)	Ø0.8	18.0	M00860

Standard materials: Nylon 66 glass reinforced /
Nylon 66 glass reinforced to UL94V0
Dimensions in millimetres

EI 30 BOXES (FOR ROUND WIRE BOBBINS)



Box size	a	b	c	Part No.
EI 30 x 10.5	18.0	21.7	22.5	M00290
EI 30 x 12.5	20.0	23.7	24.5	M00490
EI 30 x 15.5	23.1	26.8	27.6	M00690
EI 30 x 18.0	25.6	29.3	30.1	M00890

Standard materials: Nylon 66 / Nylon 66 to UL94V0
Dimensions in millimetres