



EP Ferrite Core Coil Formers

The following EP coil formers and accessories are available from stock at Miles-Platts Limited. Please refer to our web site for technical information or contact sales for a copy of our detailed Ferrite catalogue.

The coil formers in the table below are mainly manufactured in phenolic materials.

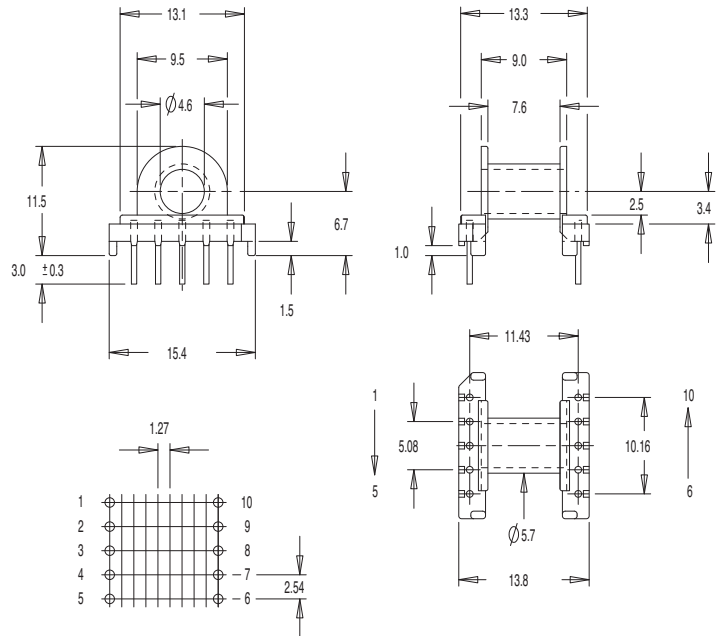
Core Type	PartNumber	Product Description
EP7	EP07H1S06IS-00	Coilformer, through hole, I pin
EP7	EP07H2S06IS-00	Coilformer, through hole, I pin
EP7	EP07H1S06CS-00	Coilformer, SMD - C pin
EP7	EP07H1S06GP-00	Coilformer, SMD - GW pin
EP7	EP07H2S06GP-00	Coilformer, SMD - GW pin
EP7	EP07CLIPM-04	Mounting Clip without earthpin
EP7	EP07CLIPEM-01	Mounting Clip with earthpin
EP7	EP07CLIPM-03	Mounting Clip without earthpin
EP10	EP10H1S08IS-00	Coilformer, through hole, I pin
EP10	EP10H2S08IS-00	Coilformer, through hole, I pin
EP10	EP10H1S08CS-00	Coilformer, SMD - C pin
EP10	EP10H1S08GP-00	Coilformer, SMD - GW pin
EP10	EP10H2S08GP-00	Coilformer, SMD - GW pin
EP10	EP10CLIPM-01	Mounting Clip without earthpin
EP10	EP10CLIPEM-00	Mounting Clip with earthpin
EP10	EP10CLIPM-02	Mounting Clip without earthpin
EP10	EP10YOKEEM-00	Mounting Yoke with earthpin
EP10	EP10SPRINGM-00	Mounting Spring
EP13	EP13H1S10IS-00	Coilformer, through hole, I pin
EP13	EP13H2S10IS-00	Coilformer, through hole, I pin
EP13	EP13H1S10CS-00	Coilformer, SMD - C pin
EP13	EP13H1S10GP-00	Coilformer, SMD - GW pin
EP13	EP13H2S10GP-00	Coilformer, SMD - GW pin
EP13	EP13CLIPM-05	Mounting Clip without earthpin
EP13	EP13CLIPM-04	Mounting Clip without earthpin
EP13	EP13YOKEEM-00	Mounting Yoke with earthpin
EP13	EP13SPRINGM-00	Mounting Spring
EP13	EP13CLIPEM-00	Mounting Clip with earthpin
EP17	EP17H1S08IS-00	Coilformer, through hole I pin
EP17	EP17YOKEEM-00	Mounting Yoke with earthpin
EP17	EP17SPRINGM-00	Mounting Spring
EP20	EP20H1S10IS-00	Coilformer, through hole I pin
EP20	EP20YOKEEM-00	Mounting Yoke with earthpin
EP20	EP20SPRINGM-00	Mounting Spring



EP Ferrite Core Coil Formers

MILES · PLATTS

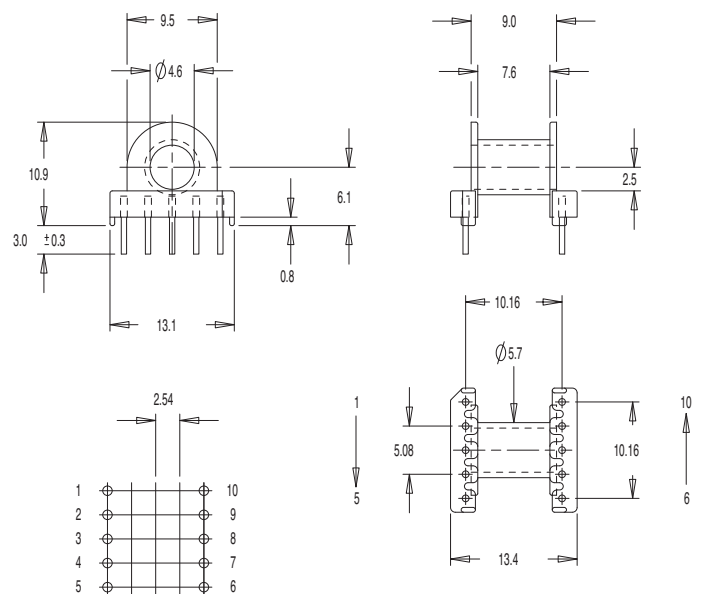
EP 13



Bobbin size	Type	No. of pins available	Pin size	Part No.
EP 13	SS	10 (2 x 5)	0.55 Sq.	EP0130

Standard materials: Nylon 46 glass reinforced to UL94V0
Pin material: Phosphor Bronze Dimensions in millimetres

EP 13 LOW PROFILE



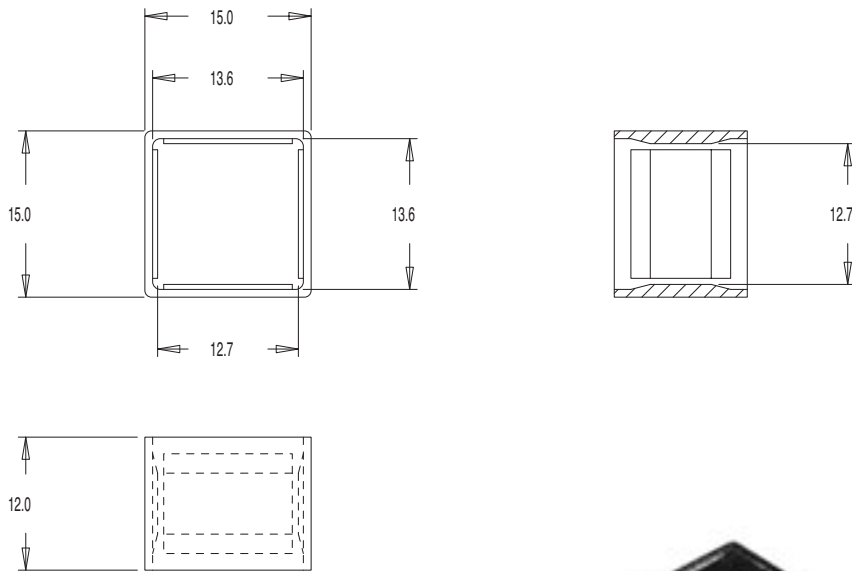
Bobbin size	Type	No. of pins available	Pin size	Part No.
EP 13	SS	10 (2 x 5)	0.55 Sq.	EP0131

Standard materials: Nylon 46 glass reinforced to UL94V0
Pin material: Phosphor Bronze Dimensions in millimetres

Miles-Platts are technical moulders - we manufacture more than bobbins
- please contact sales for details



EP 13 CLIP



Bobbin size	Type	No. of pins available	Pin size	Part No.
EP 13	Clip	-	-	EP0138

Standard materials: Nylon 66 glass reinforced / Nylon 66 glass reinforced to UL94V0 Dimensions in millimetres